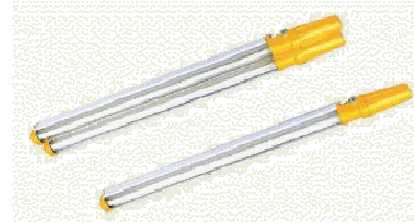




## BAY51-D Lighting fixture Ex d

### Protection mode:

Type of protection:	Ex II 2G Ex d IIC T6 Gb
Class of temperature:	T6
Protection degree:	IP66
Ambient Temp:	-20/+55°C
Zones :	1-2

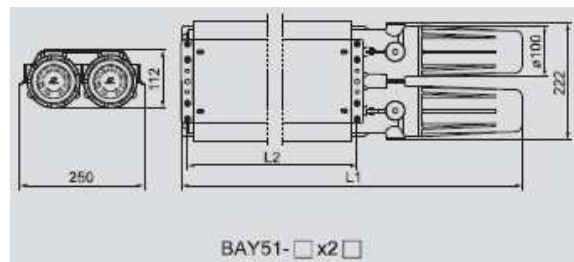


### Description:

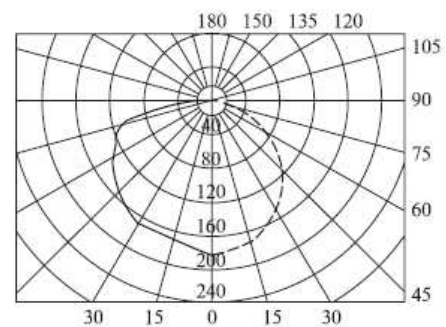
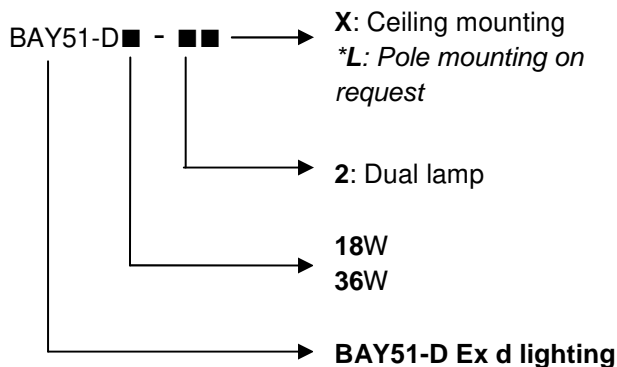
BAY51 series fluorescent lamp is suitable for lighting in chemical, petrochemical factory and warehouse, for atmospheres II A, II B and II C explosive gas mixture and flammable.

- Can be suitable in zone 1,2
- lamps: 2x18W – 2x 36W 2x 58W
- The glass tube stands 4J impact
- Enclosure in copper-free aluminium, powder coated external surface, yellow.
- With electronic ballast
- Power factor > 0.95
- End of file (EOL) rectification effect protection

### Technical drawing:



### References :



### Dimensions:

Type	Power (W)	Weight (kg)
BAY51-D-18 x 2X	18 x 2	9,5
BAY51-D-36 x 2X	36 x 2	15,5

Type	Dimensions (mm)	
	L1	L2
BAY51-D-18x2_	925	575
BAY51-D-36x2_	1535	1185



## BAY51-D Lighting fixture Ex d

### Technical data:

<b>Explosion protection</b>	Ex II 2G Ex d IIC T6 Gb
<b>Material</b>	
Enclosure	Copper-free aluminium, powder coated external surface yellow
Glass tube	Toughened glass, stands 4J impact
Ballast	Electronic ballast
Wire guard(optional)	Powder-coated carbon steel (white) or stainless steel
Exposed fastener	Stainless steel
<b>Lamps</b>	
Lamp	PHILIPS T8 (supplied with light fittings or equivalent)
Wattage (W)	18x2 or 36x2
<b>Rated voltage</b>	220-240V AC 50/60Hz
<b>Earthing protection</b>	M5
<b>Degree of protection</b>	IP66
<b>Connection</b>	Terminals 3 x 1,5 - 4 mm <sup>2</sup> (L+N+PE)
<b>Cable entries</b>	
Single lamp	3xM25 x 1.5 Plug
Double lamp	4xM25 x 1.5 Plug
<b>Cable gland (optional)</b>	On request

### Mounting type with double lamps:

