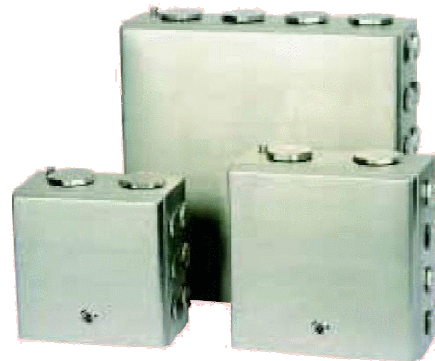




BXJ-S Stainless steel enclosure Ex e

Protection mode:

Type of protection: EX II 2G Ex e II T6 Ex tD A21
 Class of temperature: T6
 Protection degree: IP66
 Ambient Temp : -40 to +55°C
 Zones : 1-2
 Certificate: LCIE 09 ATEX __



Description:

BXJ-S series explosion-proof corrosion-proof junction box. Explosion protection to CENELEC & IEC. Stainless steel enclosure, Protection degree IP66.

Technical data:

Conformity to standards

EN 60079-0:2004; EN 60079-7:2003; IEC 60079-0:2007; IEC 60079-7:2006
 IEC61241-0:2004; IEC61241-1:2004

Enclosure material

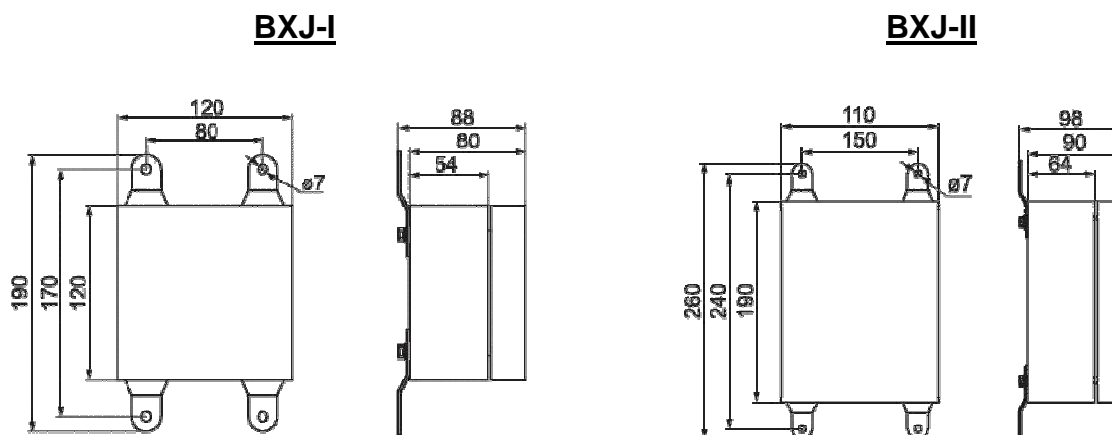
304 Stainless steel

Rated voltage

Max. 500V AC

Cross section	Rated current
2.5mm ²	24A
4.0mm ²	32A
6.0mm ²	41A
10mm ²	57A
16mm ²	76A
35mm ²	125A

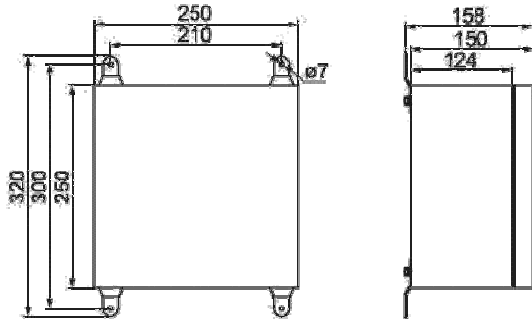
Technical drawing:



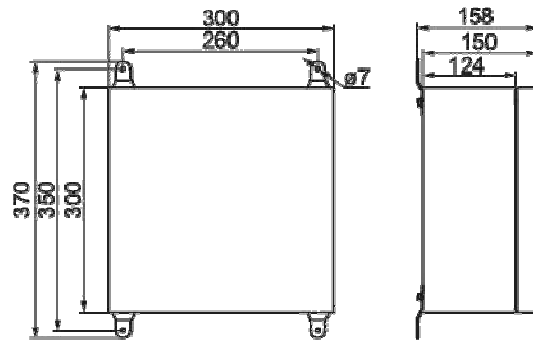


BXJ-S Stainless steel enclosure Ex e

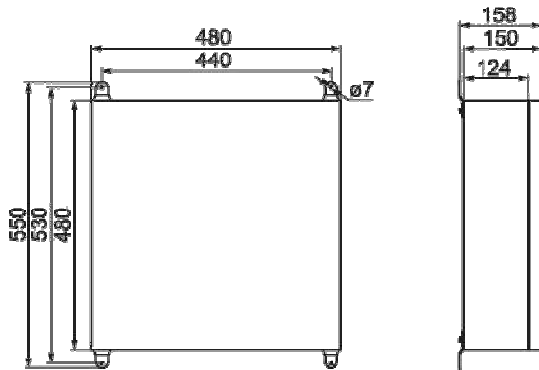
BXJ-III



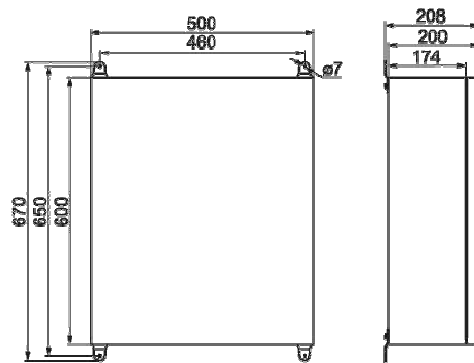
BXJ-IV



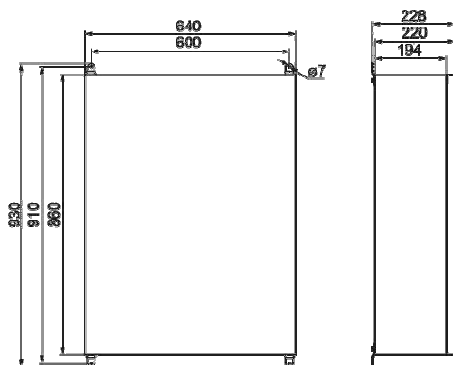
BXJ-V



BXJ-VI



BXJ-VII



Terminals boards:

TYPE	Lead cross-section (mm) ²						Weight(kg)
	2.5	4	6	10	16	35	
BXJ-I	11	9	—	—	—	—	2.25
BXJ-II	21	17	13	10	—	—	3.6
BXJ-III	32	27	20	16	14	10	7.4
BXJ-IV	70	60	44	36	30	12	8.7
BXJ-V	207	183	150	120	66	40	18.6
BXJ-VI	267	240	195	150	80	52	25.7
BXJ-VII	380	340	280	220	135	90	40.1