



## CSP/AH Aluminium enclosure for dust

### Protection mode:

Type of protection: II 2 D - EEx e / EEx d II  
 Class of temperature: T6-T5  
 Protection degree: IP 65

### Description:

The CSP/AH enclosures are square or rectangular shaped and have the cover with gasket which is connected to the body of the enclosure by screws. High thickness walls which can be threaded. Wall thickness = 10mm. These enclosures can contain conventional electrical components and circuits without requiring additional approval.



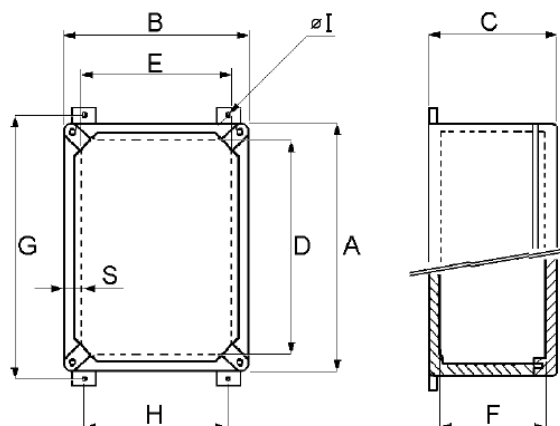
### Technical data:

**Ambient Temperature:**  
 -20/+40 °C (-40 / +60 °C)

**Materials:**  
 Body and cover: aluminium alloy.  
 Gasket: EPDM.  
 Screws: stainless steel.

**On request:**  
 Rail, Equipment plate, Terminals.  
 Galvanized or stainless steel hinges.  
 Draining valve.  
 Components. Window for instrument visualization. Inhibiting treatments for salt mist

### Technical drawing:



### Dimensions table:

Type	Dimensions (mm)						Fixing (mm)		
	External			Internal					
	A	B	C	D	E	F	G	H	I
CSP/ AH1	130	130	110	110	110	95	148	100	8
CSP/ AH2	250	160	110	230	140	95	270	125	8
CSP/ AH3	315	235	140	295	215	125	340	190	8
CSP/ AH4	420	320	140	400	300	125	450	280	8
CSP/ AH5	570	420	180	550	400	180	600	380	8