



Enclosure series CCF

Protection mode:

Type of protection:

EX II 2GD

Ex d IIB or IIB+H2 T6 or T5 or T4 or T3 Gb

Ex tb IIIC T85°C or T100°C or T135°C or T200°C Db IP66

EX II 2(1)GD

Ex d [ia IIC ou IIB Ga] IIB or IIB+H2 T6 or T5 or T4 or T3 Gb

Ex tb [ia Da] IIIC T85°C or T100°C or T135°C or T200°C Db IP66

Protection degree:

IP66

Ambient temperature :

-20 / +40°C

(-40/-50/+50/+60°C possible on request)

T° Cable :

80°C or 95°C or 130°C or 175°C

Certificats :

INERIS 15 ATEX0010X

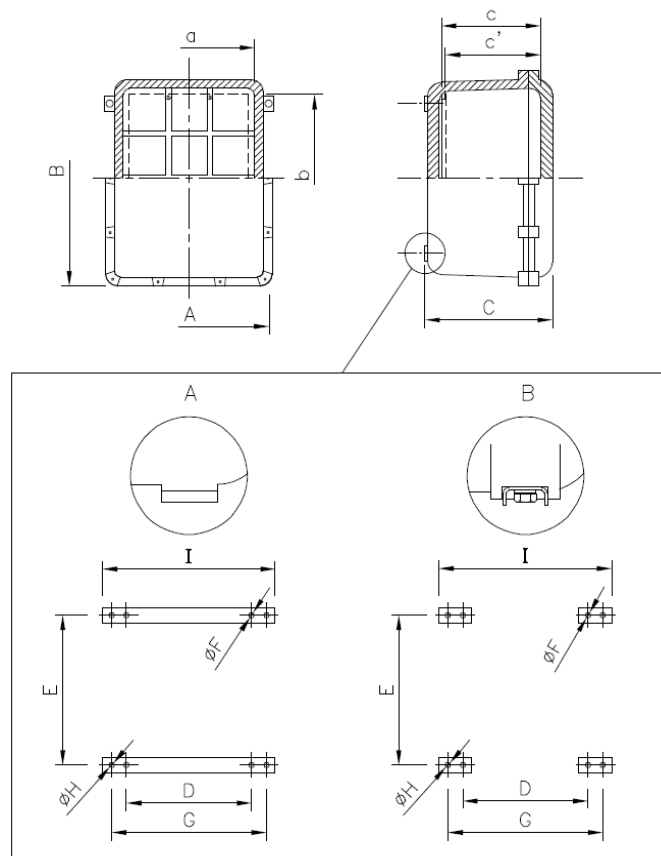
IECEX INE 15.0011X



Description:

Aluminium enclosure ATEX / IECEx for explosive atmospheres. Fixing, hinges and screws in stainless steel. Internal epoxy RAL 2004, external epoxy RAL 7000.

Drawing :



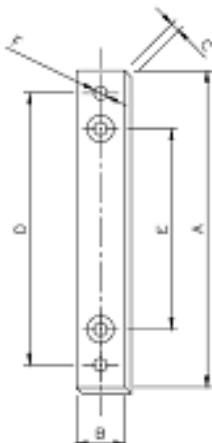


Enclosure series CCF

Dimensions :

Model	External dimensions (mm)			Internal dimensions (mm)				Fixing (mm)						Weight (kg)	
	A	B	C	a	b	c	c'	Type	D	E	F	G	H		I
CCF0G	150	150	127	93	93	96	94	A	104	60	M6	140	7	160	3,2
CCF1G	150	200	127	93	143	96	94	A	104	110	M6	140	7	160	4,1
CCF2G	200	250	150	140	190	124	122	A	154	160	M6	190	7	210	6,8
CCF3G	250	300	150	175	225	117	112	A	185	180	M6	230	9	255	10,6
CCF3AG	250	300	200	175	225	167	162	A	185	180	M6	230	9	255	11,9
CCF4G	250	350	150	175	275	117	112	A	185	230	M6	230	9	255	12
CCF4AG	250	350	200	175	275	167	162	A	185	230	M6	230	9	255	13,3
CCF5G	300	400	200	218	318	164	159	A	225	275	M8	275	9	300	18
CCF5AG	300	400	250	218	318	214	209	A	225	275	M8	275	9	300	20
CCF6G	300	450	200	218	368	164	159	A	225	325	M8	275	9	300	20
CCF6AG	300	450	250	218	368	214	209	A	225	325	M8	275	9	300	22,5
CCF7G	400	500	200	305	405	152	150	B	315	350	M10	370	11	400	31
CCF7AG	400	500	250	305	405	202	200	B	315	350	M10	370	11	400	34
CCF8G	350	550	200	255	455	152	150	A	265	400	M10	320	11	350	31
CCF8AG	350	550	250	255	455	200	200	A	265	400	M10	320	11	350	34
CCF9G	400	600	200	300	500	145	143	A	315	450	M10	370	11	400	38
CCF9AG	400	600	250	300	500	195	193	A	315	450	M10	370	11	400	43
CCF10G	450	650	200	356	548	145	141	B	360	500	M10	420	11	450	49
CCF10AG	450	650	250	356	548	195	191	B	360	500	M10	420	11	450	55
CCF10BG	450	650	300	356	548	245	241	B	360	500	M10	420	11	450	61,5
CCF11G	500	700	250	386	586	194	183	B	395	520	M12	465	13	500	68
CCF11AG	500	700	300	386	586	244	233	B	395	520	M12	465	13	500	76
CCF11BG	500	700	350	386	586	294	283	B	395	520	M12	465	13	500	84
CCF12G	550	750	250	436	636	190	180	B	445	570	M12	515	13	550	82
CCF12AG	550	750	300	436	636	240	230	B	445	570	M12	515	13	550	90
CCF12BG	550	750	350	436	636	290	280	B	445	570	M12	515	13	550	98
CCF13G	200	600	140	120	520	105	100	A	135	470	M6	180	9	205	15,5
CCF14G	220	750	175	140	670	130	125	A	150	610	M8	200	9	225	24
CCF16G	670	920	330	550	800	245	240	A	560	650	M16	660	16	700	138
CCF16AG	670	920	390	550	800	305	300	A	560	650	M16	660	16	700	146
CCF16BG	670	920	450	550	800	365	360	A	560	650	M16	660	16	700	164
CCF20G	450	450	250	356	356	185	178	A	360	300	M10	420	11	450	-
CCF20AG	450	450	350	356	356	285	278	A	360	300	M10	420	11	450	-
CCF20BG	450	450	470	356	356	405	398	A	360	300	M10	420	11	450	51

Fixing:

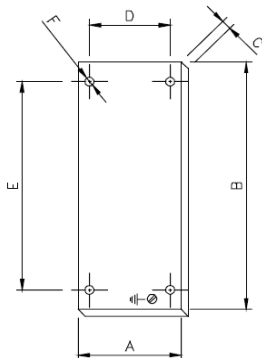


Model	Enclosure	Dimensions (mm)			Distance (mm)			Weight (g)
		A	B	C	D	E	F	
SJ0	CCF0G	160	20	4	140	104	7	100
SJ1	CCF1G	160	20	4	140	104	7	100
SJ2	CCF2G	210	20	4	190	154	7	125
SJ3	CCF3G/3AG	255	25	5	230	185	9	250
SJ4	CCF4G/4AG	255	25	5	230	185	9	250
SJ5	CCF5G/5AG	300	30	5	275	225	9	350
SJ6	CCF6G/6AG	300	30	5	275	225	9	350
SJ7	CCF7G/7AG	400	30	6	370	315	11	550
SJ8	CCF8G/8AG	350	30	6	320	265	11	550
SJ9	CCF9G/9AG	400	30	6	379	315	11	550
SJ10	CCF10G/10AG/10BG	450	30	8	419	360	11	850
SJ11	CCF11G/11AG/11BG	500	40	8	465	395	13	1200
SJ12	CCF12G/11AG/11BG	550	40	8	515	445	13	1350
SJ13	CCF13G	205	25	5	180	135	9	250
SJ14	CCF14G	235	30	5	200	150	9	350
SJ16	CCF16G/16AG/16BG	700	45	20	660	560	16	350
SJ20	CCF20G/20AG/20BG	450	30	8	420	360	11	850



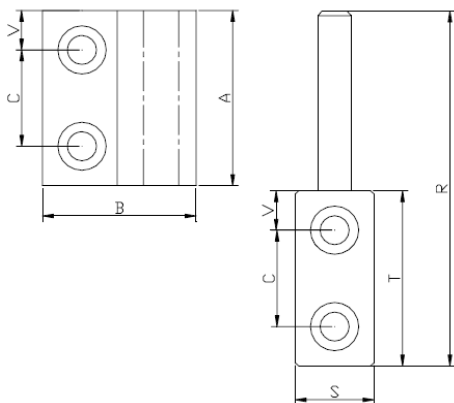
Enclosure series CCF

Internal plate:



Model	Enclosure	Dimensions (mm)			Distance (mm)			Weight (g)
		A	B	C	D	E	F	
PJ0	CCF0G	80	80	2	60	60	5,5	100
PJ1	CCF1G	80	130	2	60	110	5,5	160
PJ2	CCF2G	130	180	2	110	160	5,5	350
PJ3	CCF3G/3AG	160	210	2	140	180	5,5	510
PJ4	CCF4G/4AG	160	260	2	140	230	5,5	650
PJ5	CCF5G/5AG	205	305	2	185	275	6,5	950
PJ6	CCF6G/6AG	205	355	2	185	325	6,5	1150
PJ7	CCF7G/7AG	290	390	2,5	270	350	6,5	2150
PJ8	CCF8G/8AG	240	440	2,5	220	400	6,5	1950
PJ9	CCF9G/9AG	290	490	2,5	265	450	7,5	2700
PJ10	CCF10G/10AG/10BG	320	520	2,5	300	500	7,5	3440
PJ11	CCF11G/11AG/11BG	352	552	3	330	520	7,5	4750
PJ12	CCF12G/11AG/11BG	402	602	3	380	570	7,5	5900
PJ13	CCF13G	110	510	2	90	470	5,5	880
PJ14	CCF14G	120	650	2,5	100	610	6,5	1530
PJ16	CCF16G/16AG/16BG	490	730	3	465	640	7,5	8000
PJ20	CCF20G/20AG/20BG	320	320	2,5	300	300	7,5	3000

Hinges:



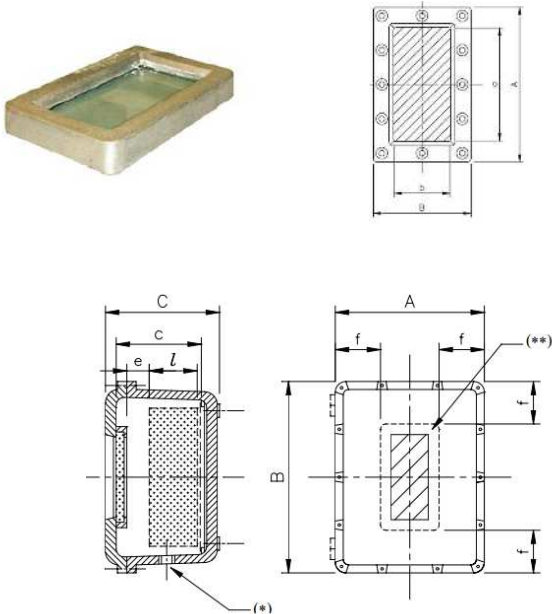
Model	Enclosure	Dimensions (mm)						
		A	B	C	R	S	T	V
CJ0-2	CCF0G/1G/2G	18	17,5	9	36	9	18	4,5
CJ3-4	CCF3G/3AG/4G/4AG	25	23	13	50	12	25	6
CJ5-6	CCF5G/5AG/6G/6AG	25	23	13	50	12	25	6
CJ7-8	CCF7G/7AG/8G/8AG	30	29	16	60	15	30	7
CJ-9	CCF9G/9AG	30	29	16	60	15	30	7
CJ10-20	CCF10G/10AG/10BG 20G/20AG/20BG	40	35	22	80	18	40	9
CJ11-12	CCF11G/11AG/11BG 12G/12AG/12BG	40	35	22	80	18	40	9
CJ13-14	CCF13G/14G	25	23	13	50	12	25	6
CJ16	CCF16G/16AG/16BG	52	50	32	104	20	52	10



Enclosure series CCF

Display window

In light alloy, RAL 7000 coating with embossed effect and transparent part in thermoresistant toughened glass.



Model	Dimensions (mm)					Weight (g)
	A	B	C	a	b	
T00	96	96	23	49	49	460
T01	120	96	23	73	49	575
T02	146	96	23	98	49	660
T03	194	96	23	146	49	880
T04	242	96	23	194	49	1035
T07	290	96	27	242	49	1495
T09	338	96	27	290	49	1685
T11	125	125	28	73	73	890
T12	150	125	28	98	73	895
T13	198	125	28	146	73	1355
T16	270	125	31	218	73	1815
T19	342	125	31	290	73	2495
T22	156	156	31	98	98	1530
T23	204	156	31	146	98	1660
T24	252	156	31	194	98	2280
T25	258	156	31	200	98	2362
T28	318	156	31	260	98	2925
T29	348	156	31	290	98	3054
T33	208	208	37	146	146	3045
T34	256	208	37	194	146	3660
T48	320	250	44	263	194	5910

Display window fitted inside

Model	Ext. dimensions (mm)			Int. dimensions (mm)					Elec. equipments max. dimensions			Type of windows
	A	B	C	a	b	c	e	f	h	i	l	
CCF2G	200	250	150	143	193	124	15	36	113	163	86	T00 T01 T02 T11 T12
CCF3G	250	300	150	178	228	118	15	48	148	198	74	T00 T01 T02 T03 T11
CCF3AG	250	300	200	178	228	168	15	48	148	198	124	T12 T13 T22 T23
CCF4G	250	350	150	178	278	118	15	48	148	248	69	T00 T01 T02 T03 T04 T11
CCF4AG	250	350	200	178	278	168	15	48	148	248	119	T12 T13 T22 T23 T24 T25
CCF5G	300	400	200	224	324	165	20	50	184	284	111	T00 T01 T02 T03 T04 T07 T11
CCF5AG	300	400	250	244	324	215	20	50	184	284	161	T12 T13 T16 T22 T23 T24 T25
CCF6G	300	450	200	244	374	165	20	50	184	334	111	T00 T01 T02 T03 T04 T07 T09 T11
CCF6AG	300	450	250	244	374	215	20	50	184	334	161	T12 T13 T16 T19 T22 T23 T24 T25 T28 T29
CCF7G	400	500	200	308	408	157	20	62	268	368	89	T00 T01 T02 T03 T04
CCF7AG	400	500	250	308	408	207	20	62	268	368	139	T07 T09 T11 T12 T13
CCF8G	350	550	200	258	458	157	20	62	218	418	89	T16 T19 T22 T23 T24
CCF8AG	350	550	250	258	458	207	20	62	218	418	139	T25 T28 T29 T33 T34
CCF9G	400	600	200	307	507	150	20	68	267	467	82	T00 T01 T02 T03 T04 T07 T09
CCF9AG	400	600	250	307	507	200	20	68	267	467	132	T11 T12 T13 T16 T19 T22 T23
CCF10G	450	650	200	356	556	148	30	68	296	496	70	T24 T25 T28 T29 T33 T34
CCF10AG	450	650	250	356	556	198	30	68	296	496	120	
CCF10BG	450	650	300	356	556	248	30	68	296	496	170	
CCF11G	500	700	250	394	594	190	30	85	334	534	112	T00 T01 T02 T03 T04 T07 T09
CCF11AG	500	700	300	394	594	240	30	85	334	534	162	T11 T12 T13 T16 T19 T22 T23
CCF11BG	500	700	350	394	594	290	30	85	334	534	212	T24 T25 T28 T29 T33 T34 T48
CCF12G	550	750	250	444	644	187	30	88	384	584	109	T00 T01 T02 T03 T04 T07 T09
CCF12AG	550	750	300	444	644	237	30	88	384	584	159	T11 T12 T13 T16 T19 T22 T23
CCF12BG	550	750	350	444	644	287	30	88	384	584	209	T24 T25 T28 T29 T33 T34 T48
CCF13G	200	600	140	128	528	105	30	51	88	488	57	T00 T01 T02 T03
CCF14G	220	750	175	144	674	135	30	57	104	634	87	T04 T07 T09