



EJB/X. Stainless steel enclosure

Protection mode:

Type of protection: II 2 GD EEx d IIB / EEx d [ia] IIB
 Class of temperature: T6-T5-T4-T3
 Protection degree: IP65 IP67
 Ambient Temp : -20 à +60°C
 Zones : 1-21-2-22

Description:

The EJB/X enclosures are rectangular shaped and have the cover with flat joint which is fixed by hexagonal head screws.

To contain terminals, contactors, switches, transformers, capacitors, PLC and other electric, electronic equipments and I.S. devices.



Technical data:

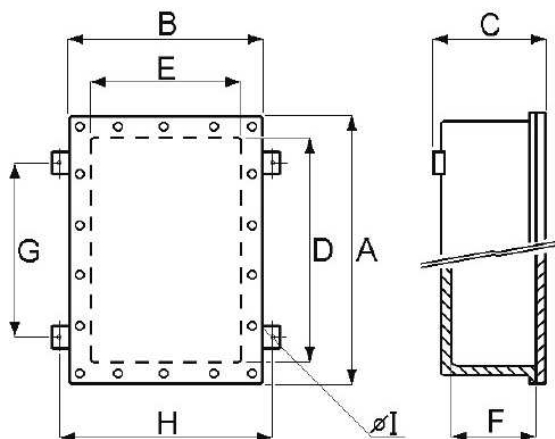
Materials:

Body and cover: stainless steel AISI 316L.
 Hinges: stainless steel.
 Equipment plate: galvanized steel.
 Screws: stainless steel.
 Silicone grease IP 65.

On request:

*IP 67 protection with o-ring.
 Stainless steel equipment plate.
 Push buttons, pilot light, selector switches.
 Breathing / draining valve.
 AISI 304 version.

Technical drawing:



DIMENSIONAL TABLE
(see next page)



EJB/X. Stainless steel enclosure

Dimensions table:

Type	Dimensions (mm)						Fixing (mm)		
	External			Internal			G	H	Ø I
	A	B	C	D	E	F			
EJB/X 0	190	125	141	140	75	120	133	108	8
EJB/X 1	213	173	141	155	115	120	148	158	8
EJB/X 2	218	218	86	160	160	65	157	206	8
EJB/X 2A	218	218	156	160	160	135	157	206	8
EJB/X 3	250	150	121	200	100	100	185	145	8
EJB/X 3A	250	150	156	200	100	135	185	145	8
EJB/X 4	256	216	140	200	160	115	188	206	8
EJB/X 4A	256	216	180	200	160	155	188	206	8
EJB/X 5	260	190	121	200	130	100	178	175	8
EJB/X 6	308	208	135	250	150	110	233	196	8
EJB/X 6A	308	208	170	250	150	145	230	196	8
EJB/X 8	368	268	175	300	200	150	282	250	10
EJB/X 8A	368	268	197	300	200	170	282	250	10
EJB/X 8B	368	268	232	300	200	205	282	250	10
EJB/X 9	386	216	150	330	160	125	280	206	10
EJB/X 9A	386	216	180	330	160	155	280	206	10
EJB/X 9B	386	216	257	330	160	230	316	206	10
EJB/X 10	448	338	157	370	260	130	345	320	10
EJB/X 10A	448	338	208	370	260	180	345	320	10
EJB/X 10B	448	338	268	370	260	235	345	320	10
EJB/X 11	486	406	178	400	320	150	363	385	10
EJB/X 11A	486	406	223	400	320	190	363	385	10
EJB/X 11B	486	406	273	400	320	240	337	385	10
EJB/X 12	498	263	173	430	195	145	404	245	10
EJB/X 13	506	306	208	430	230	180	398	290	10
EJB/X 13A	506	306	263	430	230	230	398	290	10
EJB/X 14	576	326	168	500	250	140	473	306	10
EJB/X 14A	576	326	228	500	250	195	473	306	10
EJB/X 15	576	426	223	500	350	190	462	430	12
EJB/X 15A	576	426	265	500	350	230	462	430	12
EJB/X 15B	576	426	145	500	350	110	462	430	12
EJB/X 16	577	182	125	515	120	100	502	158	10
EJB/X 17	660	490	245	570	400	210	550	464	14
EJB/X 17A	660	490	360	570	400	325	550	464	14
EJB/X 17Q	590	590	315	500	500	280	395	595	14
EJB/X 18	732	522	205	640	430	170	590	505	14
EJB/X 18A	732	522	265	640	430	230	590	505	14
EJB/X 18B	732	522	365	640	430	330	590	505	14
EJB/X 19	726	376	185	650	300	150	633	354	14
EJB/X 19A	726	376	255	650	300	220	633	354	14
EJB/X 20	920	670	300	800	550	260	697	630	16
EJB/X 20A	920	670	430	800	550	390	697	630	16