



DXN1 20A

Protection mode:

Type of protection: II 2 GD EEx/ ed IIC DIP A21
 Class of temperature: T6-T5
 Protection degree: IP 66 / IP 67

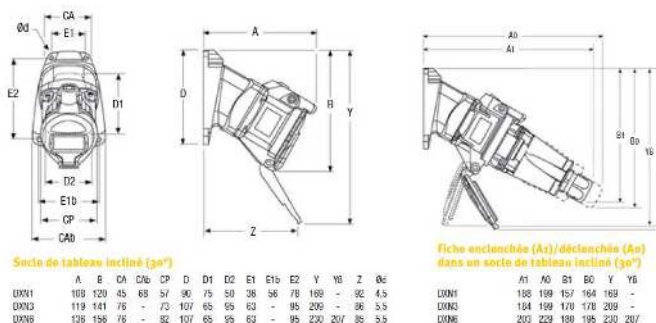


Technicals data:

- Rated current (with wiring according to standard) 20 A
- Maximum voltage 550 V
- IP protection lid closed IP66/IP67
- IP protection connected plug IP66/IP67
- Resistance to shocks IK08
- Flexible wiring (min - max) 1 - 4 mm²
- Stranded wiring (min - max) 1,5 - 6 mm²

Other wiring on request:

- Keying positions 24
- Protection mode de
- ATEX zones 1 & 2, 21 & 22



Socket-outlet (female)



Voltage 50Hz	Polarity	Part N°
20-24V	2P	25 14 08A
110-130V	1P+N+E	25 14 035
220-250V	1P+N+E	25 14 015
380-440V	3P+E	25 14 013
380-440V	3P+N+ E	25 14 017
480-500v	3P+E	25 14 093

Inlet (male)



Voltage 50Hz	Polarity	Part N°
20-24V	2P	25 18 08A
110-130V	1P+N+E	25 18 035
220-250V	1P+N+E	25 18 015
380-440V	3P+E	25 18 013
380-440V	3P+N+ E	25 18 017
480-500v	3P+E	25 18 093

Boxes

Ex cable gland included



Wall box poly 30°
 25 1A B53 10-14mm

Handle

Ex cable gland included



straight poly
 M20 25 1A 753 10-14mm

Options :

*Wall box poly 70° on request
 Accessories and others product on request.