



## DXN6 63A

### Protection mode:

Type of protection: II 2 GD EEx/ ed IIC DIP A21  
 Class of temperature: T6-T5  
 Protection degree: IP 66 / IP 67

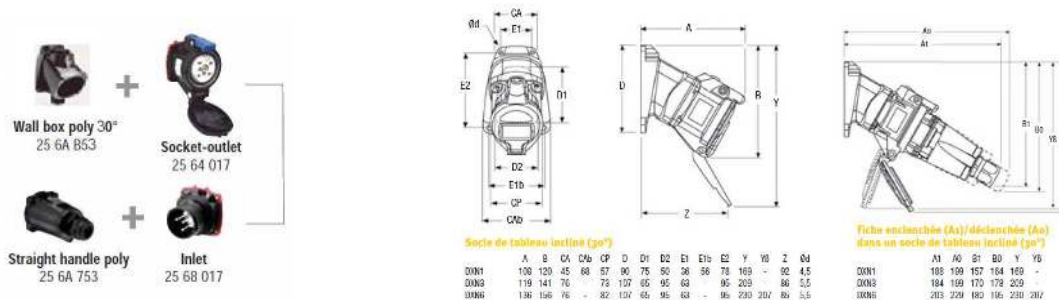


### Technical data:

- Rated current (with wiring according to standard) 63 A
- Maximum voltage 750 V
- IP protection lid closed IP66/IP67
- IP protection connected plug IP66/IP67
- Resistance to shocks IK08
- Flexible wiring (min - max) 6 - 16 mm<sup>2</sup>
- Stranded wiring (min - max) 6 - 25 mm<sup>2</sup>

Other wiring on request:

- Keying positions 24
- Protection mode de
- ATEX zones 1 & 2, 21 & 22



### Socket-outlet (female)



Voltage 50Hz	Polarity	Part N°
20-24V	2P	25 64 08A
110-130V	1P+N+E	25 64 035
220-250V	1P+N+E	25 64 015
380-440V	3P+E	25 64 013
380-440V	3P+N+ E	25 64 017
480-500v	3P+E	25 64 093
480-500V	3P+N+E	25 64 097

### Inlet (male)



Voltage 50Hz	Polarity	Part N°
20-24V	2P	25 68 08A
110-130V	1P+N+E	25 68 035
220-250V	1P+N+E	25 68 015
380-440V	3P+E	25 68 013
380-440V	3P+N+ E	25 68 017
480-500v	3P+E	25 68 093
480-500V	3P+N+E	25 68 097

### Boxes

Ex cable gland included



Wall box poly 30*	
25 6A B53	12,5-18,5mm

### Handle

Ex cable gland included



straight poly		
M20	25 6A 753	12,5-18,5mm

### Options:

\*Wall box poly 70° on request

Accessories and others products on request.