



## EVC 50/FR Red Lightings fittings

### Protection mode:

Type of protection: II 2G EEx d IIC T6 IP65  
 Class of temperature: T6  
 Protection degree: IP65  
 Zones: 1-2



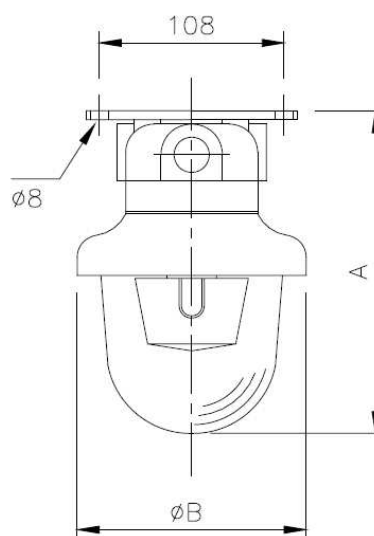
### Description:

EVC 50/FR - Red lighting fitting  
 Suitable for intermittent flash Xenon gas lamps.  
 12/24V ac/dc supply voltage.  
 Enclosure in light alloy with tempered glass.  
 RAL 7000 external epoxy coating.

### On request :

- External cage in galvanized steel or stainless steel AISI 304.
- Supply voltage 48V – 110V – 220V.
- Others colors painting.
- Lampholder: E27

### Technical drawing:



### Dimensions table:

Type	A	B	Cable entries no.	Voltage	Power	Weight (Kg)
EVC 50/FR1	220	135	2 x 3/4"	12-24 VAC/DC	1 – 3W	1.5
EVC 50/FR4	220	135	2 x 3/4"	220 VAC	4,5W	1.5