



Ex-KSF18600 ATEX LED Lighting Swordfish 18W

Protection mode:

Type of protection: II 2GD
 Ex d eb op IIC T6 Gb
 Ex tb is IIIC T80°C Db

Class of temperature: T6

Ambient Temp : -20/+55°C
 Zones : 1-2-21-22



Description:

Sword Fish lighting 18W LED.

Energy saving. Reduce the number of luminaires needed, providing excellent luminaries efficiency more light where you need it.

Anti glare, reduces glare in applications where the user may have direct visual contact with the light source.

Shock and vibration resistant tempered glass, reduces the risk of premature failure.

OSRAM LED source. High efficiency lumen output and high CRI.

Reference

Ex	KSF	XX	XX	XXX	XXXX	XX	X	X
Type	Series	Power	Input voltage	Size	Candela	CCT	Update	English
<i>Ex proof</i>	<i>KSF-Sword fish</i>	<i>18W</i>	<i>AC-100-277V</i>	<i>600*136*85mm</i>	<i>H7V7</i>	<i>CH</i>	<i>U</i>	<i>E</i>

Electrical parameters

Reference	Rated input voltage	Rated input current (A)	Voltage frequency (Hz)	Rated power (W)	LED Input current (mA)	PF	THD
Ex-KSF18600H7V7CH-E	AC 100-277	0,18 - 0,07	50/60	18	60	>0,98	<10%

(*others voltage parameters on request)

Photometric parameters

Reference	TEMP	CCT (K)	CRI	Luminous flux (lm)
Ex-KSF18600H7V7CH-E	Cool white	5400-7000	80	2457

Type	Beam angle*
H7V7	120°

Type	Size (mm)	Weight (Kg)	Amb Temp	Max surface Temp (C°)	Protection degree	Insulation
Ex-KSF18600H7V7CH-E	600*136*85	6.4	-20 / +55°C	33	IP66	I

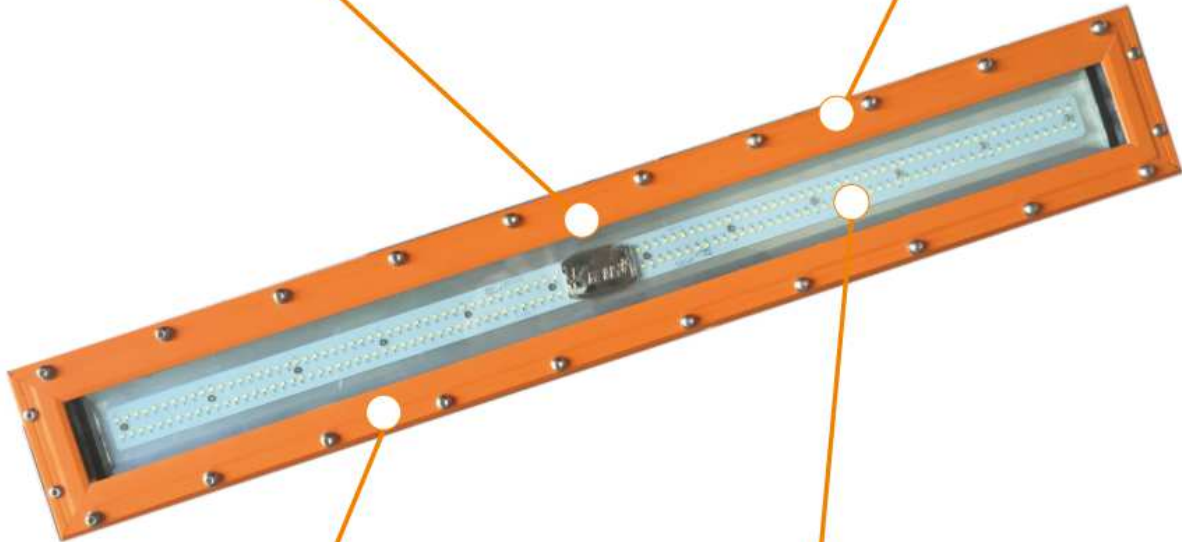


Ex-KSF18600 ATEX LED Lighting Swordfish 18W

OSRAM LED source ,high efficacy and lumen output.



Industrial aluminium alloy enclosure, high performance of anti- impact . Can endure 10J impact.



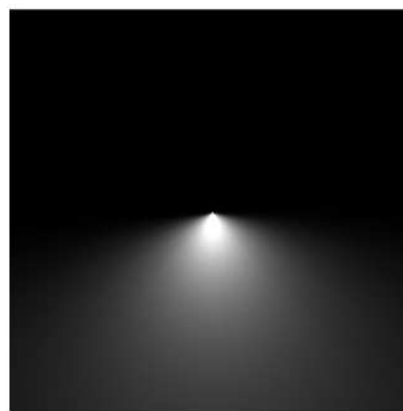
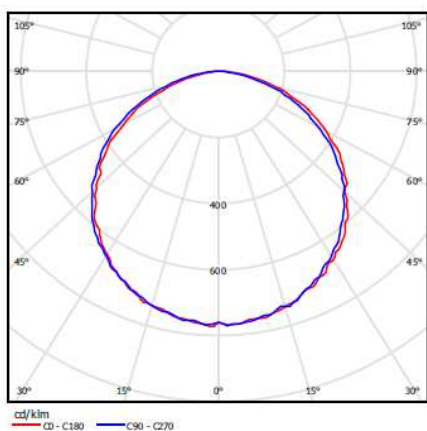
Copper -Free Aluminum enclosure , anti-corrosion. Suitable for different application.

LED clung to the enclosure which make heat dissipation fast.Lower the junction Temp.

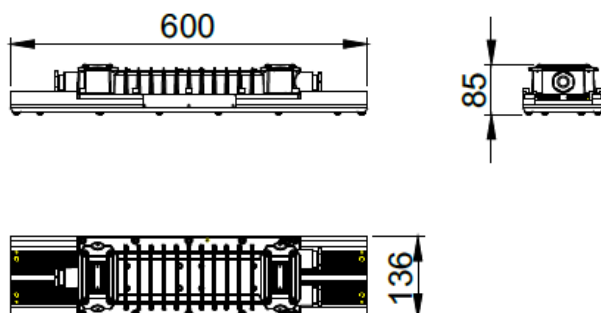




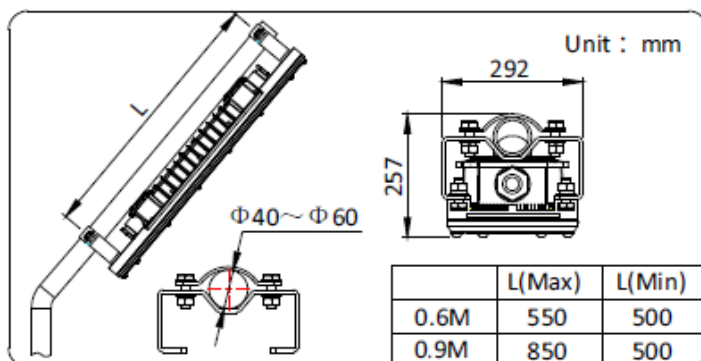
Ex-KSF18600 ATEX LED Lighting Swordfish 18W



Dimensions



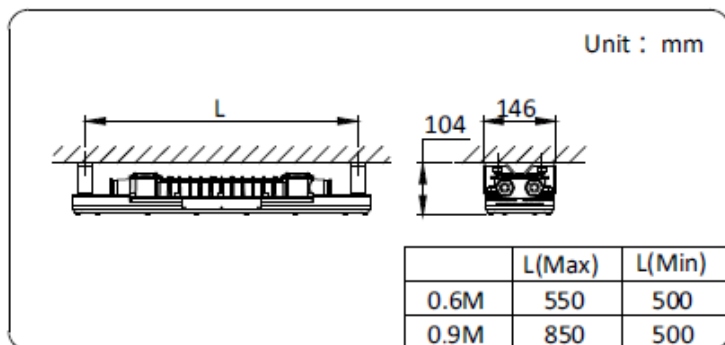
Pipe mounting (Pole bracket PCP-SF-U-O)



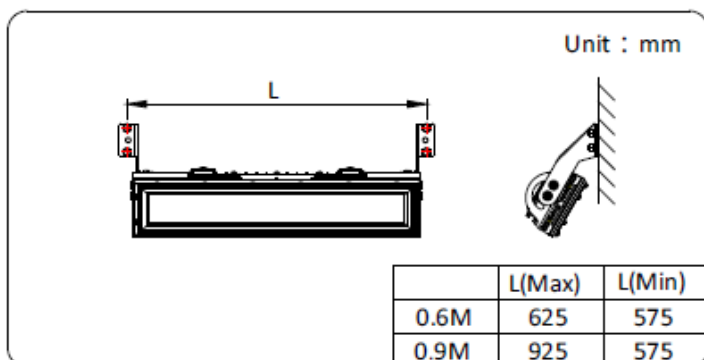


Ex-KSF18600 ATEX LED Lighting Swordfish 18W

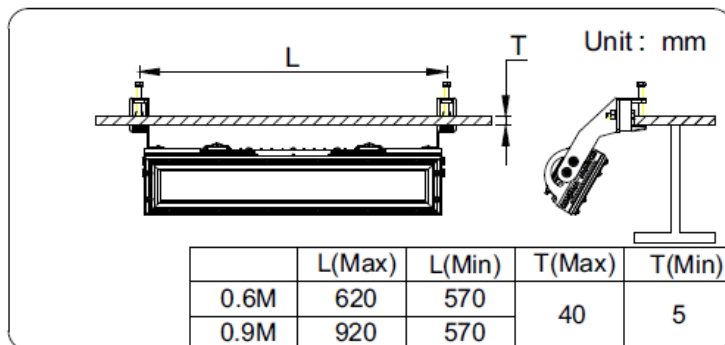
Ceiling mounting Bracket BR-SF-U-O



Wall mounting (Stanchion bracket SBT-SF-U-O)




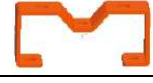



Clamp mounting (CM-SF-U-O)





Ex-KSF18600 ATEX LED Lighting Swordfish 18W

Accessories

Installations accessories	Reference	Photo	Material	Weight (kg)	QTY
Pipe clamp	PCP-SF-U-O		Q235	2	2
Bracket	BR-SF-U-O		Q235	0,8	2
Stanchion bracket	SBT-SF-U-O		Q235	2,6	2
Clamp mounting	CM-SF-U-O		Q235	3	2
Loop mounting	LO-SF-U-O		Q235	1,2	2