



Ex-KSF18600 ATEX LED Lighting Swordfish 18W Emergency 180Mn

Protection mode:

Type of protection: II 2GD
Ex d eb op IIC T6 Gb
Ex tb is IIIC T80°C Db

Class of temperature: T6

Ambient Temp : -20/+55°C
Zones : 1-2-21-22



Description:

Sword Fish lighting 18W LED.

Energy saving. Reduce the number of luminaires needed, providing excellent luminaires efficiency more light where you need it.

Anti glare, reduces glare in applications where the user may have direct visual contact with the light source.

Shock and vibration resistant tempered glass, reduces the risk of premature failure.

OSRAM LED source. High efficiency lumen output and high CRI.

Reference

| Ex | KSF | XX | XX | XXX | XXXX | XX | X | X |
|-----------------|-----------------------|------------|--------------------|---------------------|-------------|-----------|-------------|----------|
| Type | Series | Power | Input voltage | Size | Candela | CCT | Update | English |
| <i>Ex proof</i> | <i>KSF-Sword fish</i> | <i>18W</i> | <i>AC-100-277V</i> | <i>600*136*85mm</i> | <i>H7V7</i> | <i>CH</i> | <i>DL-U</i> | <i>E</i> |

Electrical parameters

| Reference | Rated input voltage | Rated input current (A) | Voltage frequency (Hz) | Rated power (W) | LED Input current (mA) | PF | THD |
|------------------------|---------------------|-------------------------|------------------------|-----------------|------------------------|-------|------|
| Ex-KSF18600H7V7CH-DL-E | AC 100-277 | 0,18 - 0,07 | 50/60 | 18 | 60 | >0,98 | <10% |

(*others voltage parameters on request)

Photometric parameters

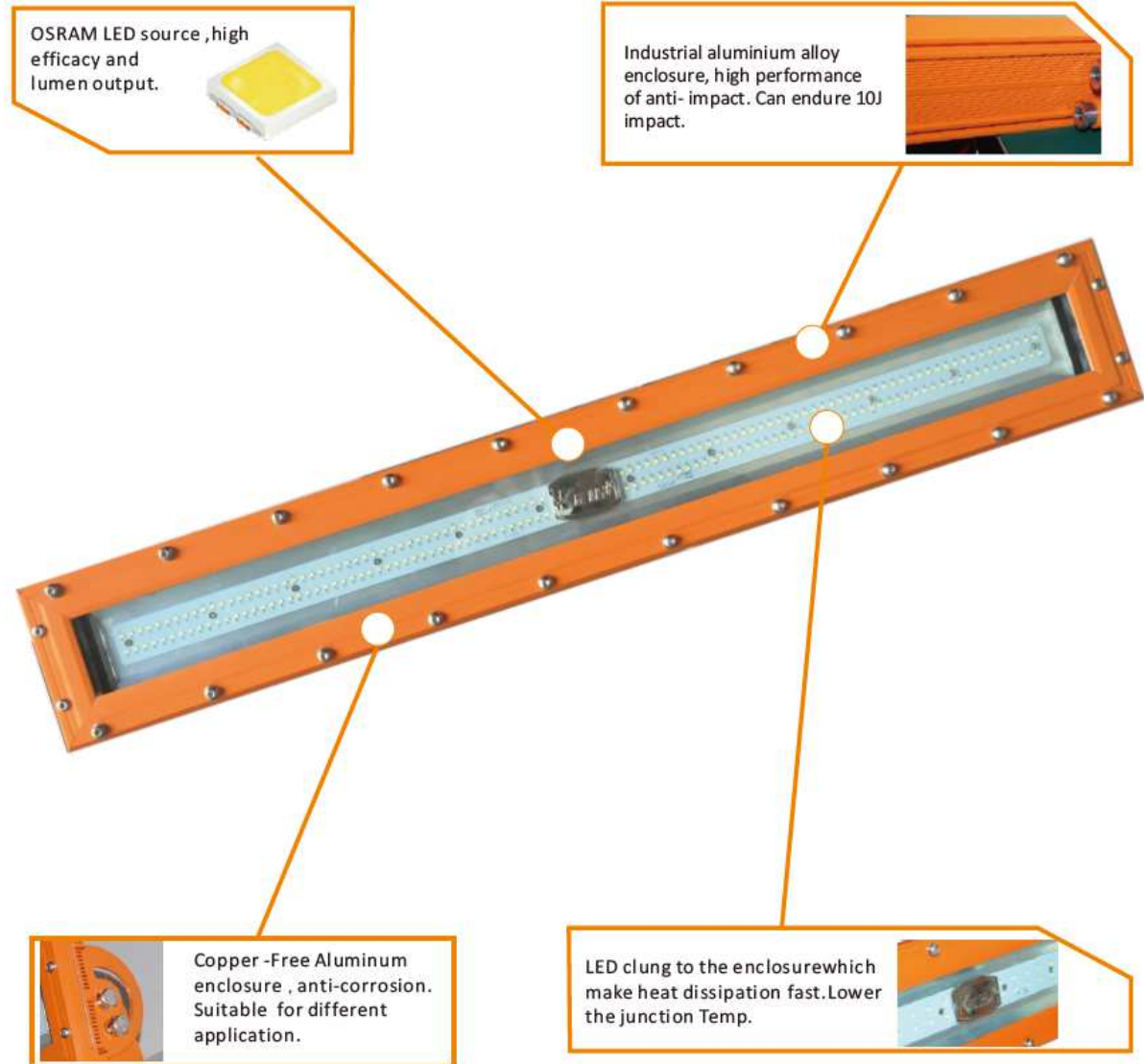
| Reference | TEMP | CCT (K) | CRI | Luminous flux (lm) |
|------------------------|------------|-----------|-----|---------------------------|
| Ex-KSF18600H7V7CH-DL-E | Cool white | 5400-7000 | 80 | 2457 / 610 emergency mode |

| Type | Beam angle* |
|------|-------------|
| H7V7 | 120° |

| Type | Size (mm) | Weight (Kg) | Amb Temp | Max surface Temp (C°) | Protection degree | Insulation |
|------------------------|------------|-------------|-------------|-----------------------|-------------------|------------|
| Ex-KSF18600H7V7CH-DL-E | 600*136*85 | 6.4 | -20 / +55°C | 33 | IP66 | I |



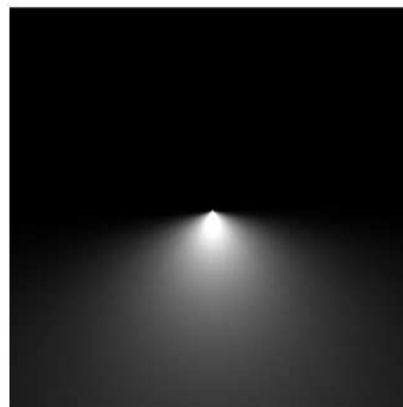
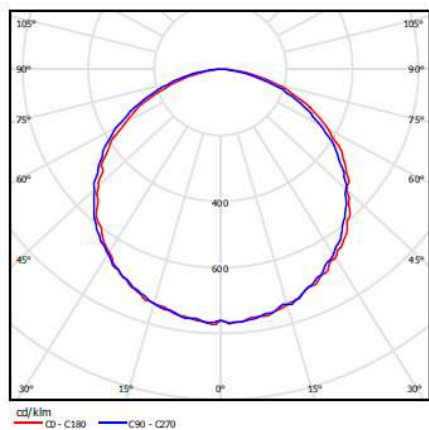
Ex-KSF18600 ATEX LED Lighting Swordfish 18W Emergency 180Mn



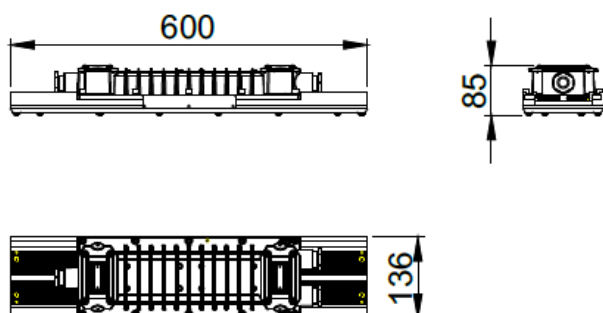
| | | |
|---------|--------------------------------------|------------|
| Battery | Rated capacity (Ah) | 2.8 |
| | type | Ni-Cd |
| | Lifespan | 300 cycles |
| | Back up(min) | 180 |
| | Charging time(after full discharge) | 12 hours |



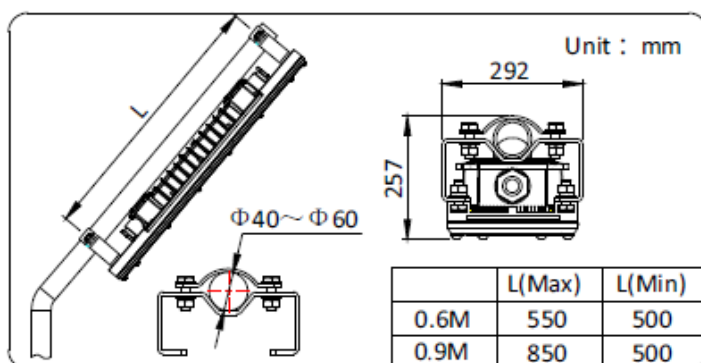
Ex-KSF18600 ATEX LED Lighting Swordfish 18W Emergency 180Mn



Dimensions



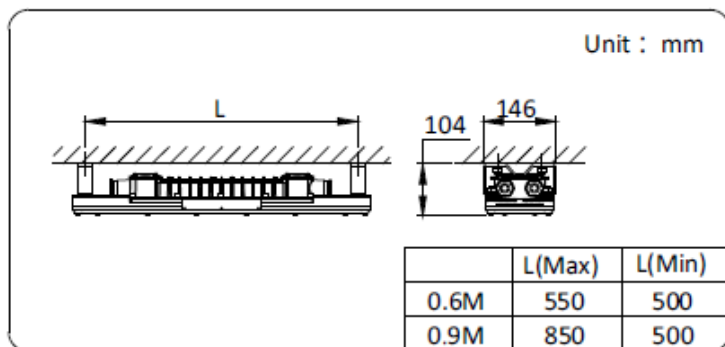
Pipe mounting (Pole bracket PCP-SF-U-O)



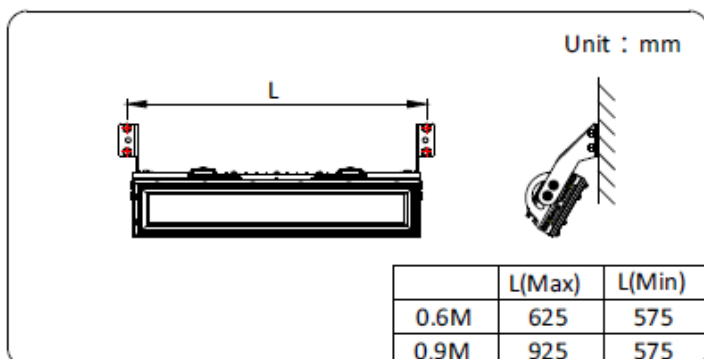


Ex-KSF18600 ATEX LED Lighting Swordfish 18W Emergency 180Mn

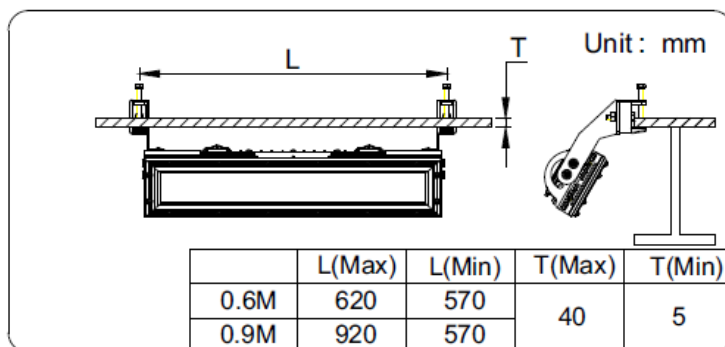
Ceiling mounting Bracket BR-SF-U-O



Wall mounting (Stanchion bracket SBT-SF-U-O)




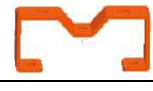



Clamp mounting (CM-SF-U-O)





Ex-KSF18600 ATEX LED Lighting Swordfish 18W Emergency 180Mn

Accessories

| Installations accessories | Reference | Photo | Material | Weight (kg) | QTY |
|---------------------------|------------|--|----------|-------------|-----|
| Pipe clamp | PCP-SF-U-O |  | Q235 | 2 | 2 |
| Bracket | BR-SF-U-O |  | Q235 | 0,8 | 2 |
| Stanchion bracket | SBT-SF-U-O |  | Q235 | 2,6 | 2 |
| Clamp mounting | CM-SF-U-O |  | Q235 | 3 | 2 |
| Loop mounting | LO-SF-U-O |  | Q235 | 1,2 | 2 |