



## EX-KST Saturn IECEx LED Light portable

### Protection mode:

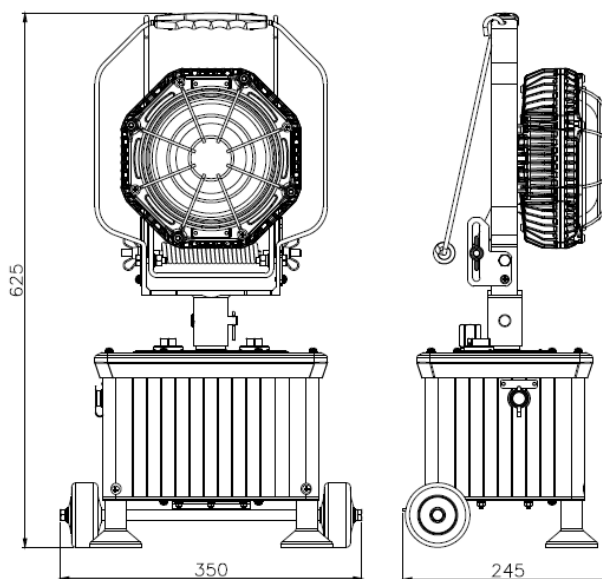
Type of protection: Ex d e IIC T5 Gb  
 Class of temperature: T6 – T5  
 Protection degree: IP54  
 Ambient Temp : -20/+55°C



### Description:

Soldering steel, robust and durable.  
 Osram LED Source, High efficacy lumen output and high CRI.  
 Increased safety battery box.  
 Two pieces of lead acid batteries (24V12Ah).  
 Low surface temperature: Effective heat dissipation.

### Technical drawing:



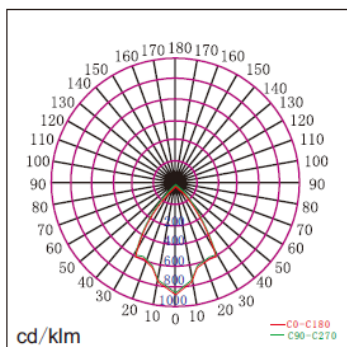
### Reference

<b>Ex-KST</b>	<b>BXX</b>	<b>XX</b>	<b>XX</b>	<b>XX</b>	<b>XX</b>	<b>-X</b>
Type	Battery type	Capacity	Optionnal	CCT(K)	Application	Area
	B24V-24V	12-12Ah	FF-FroestFrog	WM 2800~3300 NH 4700~5400 CH 5400~6400	Ambient T° (-20/+55°C)	E-English



## EX-KST Saturn IECEx LED Light portable

### Candela :



### Specifications datas :

Product type		Ex-KSTB24V12FFWM-E	Ex-KSTB24V12FFNH-E	Ex-KSTB24V12FFCH-E	
		Warm white	Natural white	Cool white	
Ex type		Lamp : Ex d IIC T6/T5 Gb			
		Battery box: Ex demb IIC T5 Gc			
Temp.classification		T6 / T5			
Ambient temp.(°C)		-20/+55°C			
Input voltage(V)		AC 100~240			
Battery	Output voltage( V)	DC 20~30			
	Rated capacity(Ah)	12			
	Type	Lead-acid batteries			
	Lifespan	300 Cycles			
	Working time (h)	15W	12		
		30W	8		
60W		4			
Charging time(h)(After full discharge)		12~14			
Light	LED Source	OSRAM			
	Power(W)	0~60			
	CRI	82	70	70	
	CCT(K)	2800~3300	4700~5400	5400~6400	
	Luminous flux (lm)	5082	6600	6600	
Size (mm)		635* 350* 245			
Weight(Kg)		19,5			
IP Code		IP54			
Anti-corrosion		WF2			