



## EXKFF30-H6V6-TME ATEX / IECEx

### Protection mode:

Type of protection:	II 2G Ex d IIC T6/T5 Gb II 2D Ex tb IIIC T80°C/T100°C Db
Class of temperature:	T6
Protection degree:	IP66
Ambient Temp :	-20/+55°C
Zones :	1-2-21-22

IEC 60079-0/1/31 EN60079-0/1/31 EN 60598-1 EN 55015  
IEC 62321 – CE - RoHS

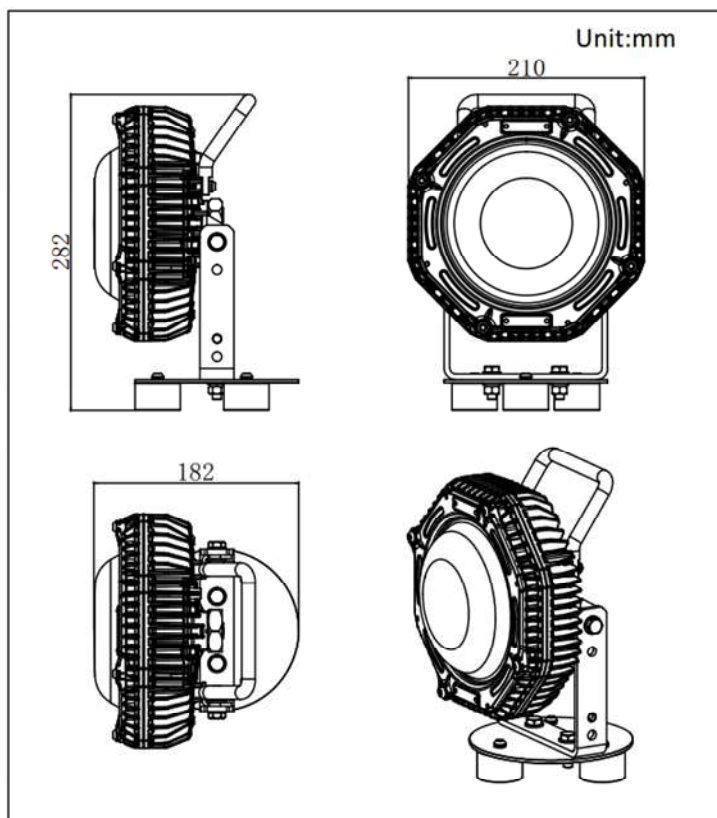
### Description:

Portable and convenient hand lamp battery incorporated for handheld application.

- Explosion proof design can use in the hazardous application
- High strength aluminum alloy housing. can endure 20 J impact
- More than 10h discharge time, meet the demand of the emergency illumination.
- Magnetic force adsorption design
- Adjustable lamp head can easily adjust illumination area.

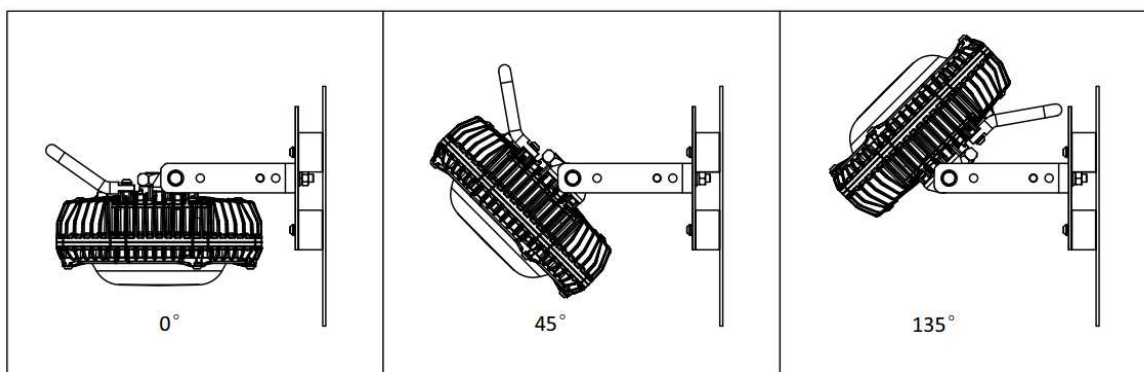


### Dimensions :





## EXKFF30-H6V6-TME ATEX / IECEx



The thickness of adsorbed substance should be not less than 3mm.

### Technical data:

Product type	Ex-KFF30	Ex-KFF30	Ex-KFF30
P/N	Ex-KFF30H6V6WM-T-M-E	Ex-KFF30H6V6NHT-M-E	Ex-KFF30H6V6CH-T-M-E
Power ( W )	10		
Color temp.	Warm white	Natural white	Cool white
CCT ( K )	2700 ~ 3300	3700 ~ 4300	5400 ~ 7000
CRI	80	80	80
Luminous ( lm )	1010	1265	1265
Size ( mm )	210*182*282		
Weight ( Kg )	5.31		
Ex Mark	Ex d II C T6 Gb Ex tb III C T80°C Db IP66		
Temp. Classification	T6		
Rated input voltage ( V )	100 ~ 277		
Battery	Rated capacity(Ah)	6.6	
	type	Lithium battery	
	Lifespan	500 cycles	
	Working time(h)	10	
	Charging time (after full discharge) (h)	7	
LED source	SEOUL LED		
Ambient temp. ( °C )	-20 ~ +55		
IP Code	IP66		
Insulation	I		