



Ex-KA30 ATEX LED lighting 'Arowana' series

Protection mode:

Type of protection: II 2GD Ex d IIB T5 ou T6 Gb
Ex tb IIIC T95° - T80°C Db IP66
Class of temperature: T6-T5
Protection degree: IP66
Ambient Temp : -40/+55°C
Zones : 1-2-21-22



Description:

Energy saving. Reduce the number of luminaires you need, providing excellent luminaries efficiency- more light where you need it.

Anti-glare, reduces glare in applications where the user may have direct visual contact with the light source.

Shock- and vibration-resistant- tempered glass , reduces the risk of premature failure.

Osram led source. High efficiency lumen output and high CRI.

Electrical parameters

Type	Rated input voltage (V AC)	Rated input current (A)	Voltage frequency (Hz)	Rated power (W)	Input current (mA)	PF
Ex-KA30	100-240	0.3	50/60	30	600	>0,98

Photometric parameters

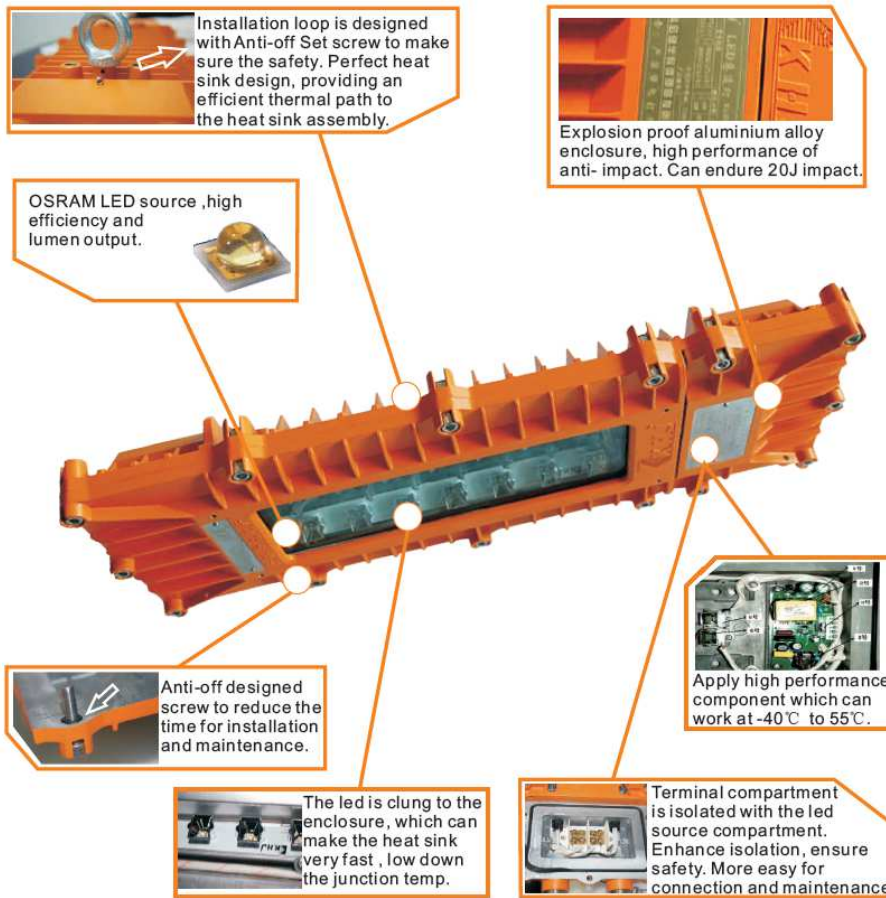
Type	P/N	Color temp	CCT (K)	CRI	Luminous Flux (lm)	Candela Dist.
Ex-KA30	Ex-KAF30CH	Cool White	5400-6400	70	3000 +/- 10%	A

Other parameters

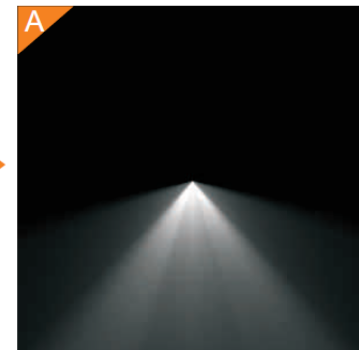
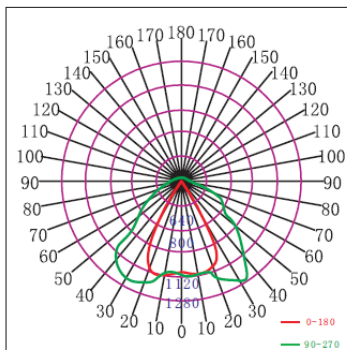
Type	Size (mm)	Weight (Kg)	Amb Temp	Max surface Temp (tested in 25C°)	Protection degree	Insulation
Ex-KA30	480*180*62	4.7	-40 / +55°C	45	IP66	I



Ex-KA30 ATEX LED lighting 'Arowana' series



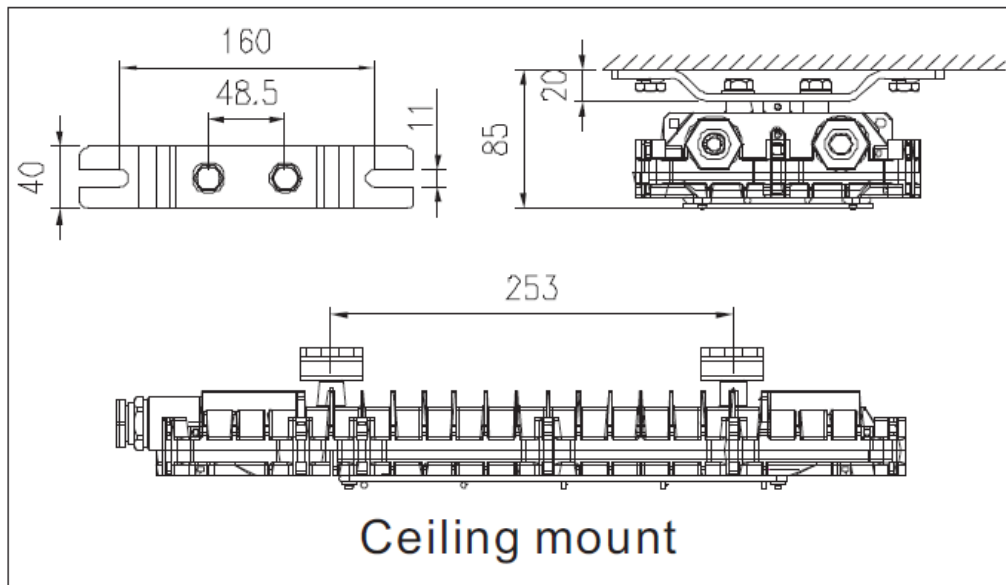
Standard type



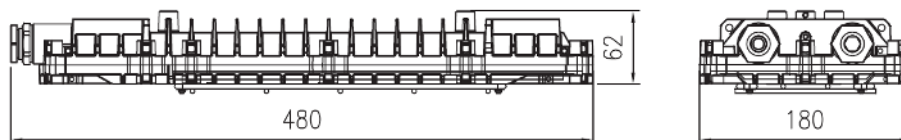


Ex-KA30 ATEX LED lighting 'Arowana' series


Mounting type



Dimensions



Accessories

Installation accessories	Picture	Material	Weight(Unit: Kgs)	QTY /Luminaire
Bracket		Q235	0.4	2