



Ex-KGF ATEX LED lighting 'Golden frogs'

Protection mode:

Type of protection: II 2GD Ex d IIB T5 ou T6 Gb
Ex tb IIIC T95° - T80°C Db IP66
Class of temperature: T6-T5
Protection degree: IP66
Ambient Temp : -40/+55°C
Zones : 1-2-21-22



Description:

ATEX LED lighting Golden frogs series 30W and 60W.

Energy saving. Reduce the number of luminaires you need, providing excellent luminaires efficiency-more light where you need it.

Anti-glare, reduces glare in applications where the user may have direct visual contact with the light source.

Shock- and vibration-resistant- tempered glass , reduces the risk of premature failure.

Osram led source. High efficiency lumen output and high CRI.

Reference

Ex	K	GF	XXX	X	XX
Type	Brand	Series	Power	Voltage	CCT
Ex proof	K-KHJ	GF-Golden Frog	30W 60W	110-240V	CH - Cool white

Electrical parameters

Type	Rated input voltage (V AC)	Rated input current (A)	Voltage frequency (Hz)	Rated power (W)	Input current (mA)	PF
Ex-KGF30	100-240	0,25	50/60	30	310	>0,98
Ex-KGF60	100-240	0,5	50/60	60	600	>0,98

Photometric parameters

Type	P/N	TEMP	CCT (K)	CRI	Luminous flux (lm)
Ex-KGF30	Ex-KGF30CH	Cool white	6000-7100	70	2400 +/- 10%
Ex-KGF60	Ex-KGF60CH	Cool white	6000-7100	70	4900 +/- 10%

Other parameters

Type	Size (mm)	Weight (Kg)	Amb Temp	Max surface Temp (tested in 25C°)	Protection degree	Insulation
Ex-KGF30	311x284x190	5.3	-40 / +55°C	55	IP66	I
Ex-KGF60	311x284x190	5.5	-40 / +55°C	63.5	IP66	I



Ex-KGF ATEX LED lighting 'Golden frogs'



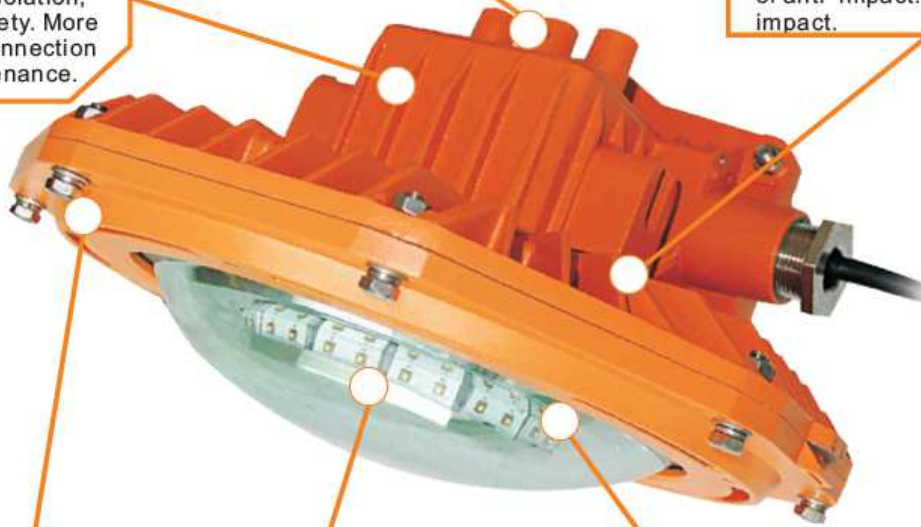
Terminal compartment is isolated with the led source compartment. Enhance isolation, ensure safety. More easy for connection and maintenance.



Installation loop is designed with Anti-off Set screw to make sure the safety. Perfect heat sink design, providing an efficient thermal path to the heat sink assembly.

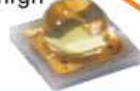


Explosion proof aluminium alloy enclosure, high performance of anti-impact. Can endure 20J impact.



Anti-off designed screw to reduce the time for installation and maintenance.

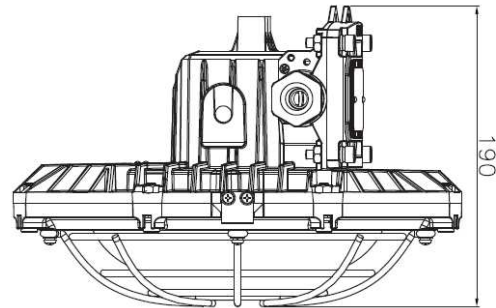
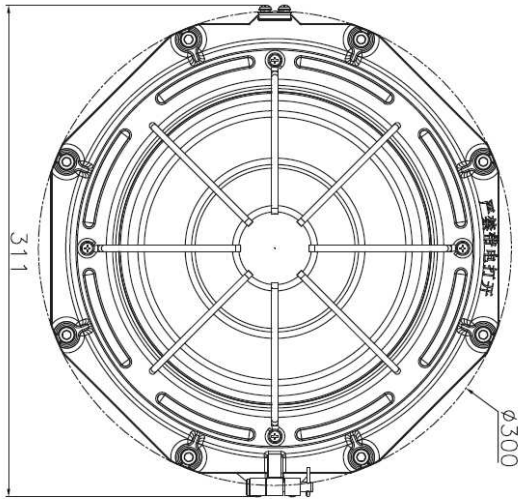
OSRAM LED source, high efficiency and lumen output.



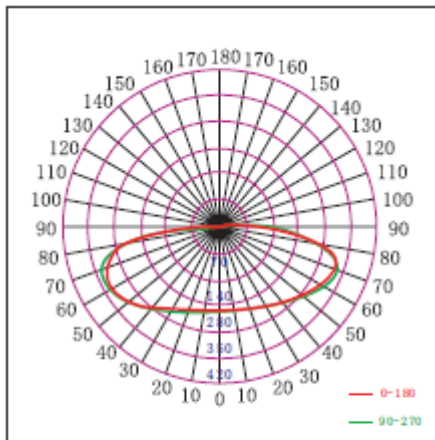
The led is clung to the enclosure, which can make the heat sink very fast, low down the junction temp.



Ex-KGF ATEX LED lighting 'Golden frogs'



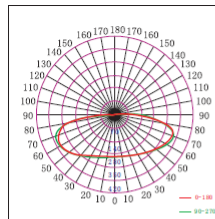
Standard type



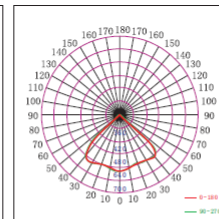
D



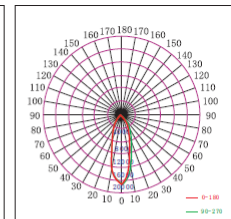
Others type on request



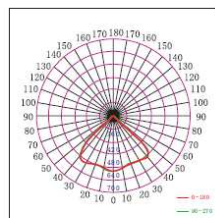
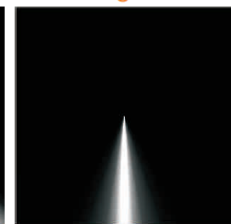
A



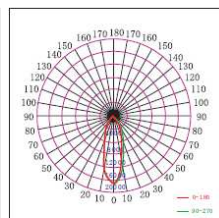
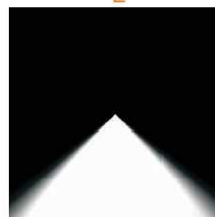
B



C



E



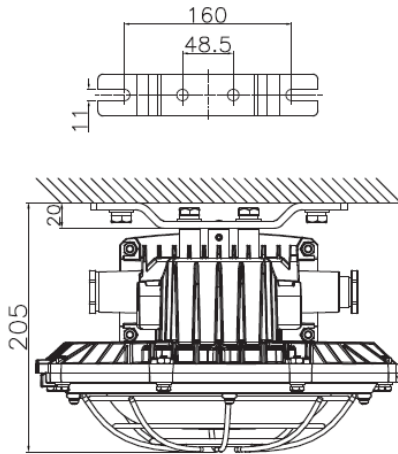
F






Ex-KGF ATEX LED lighting 'Golden frogs'

Ceiling mounting



Accessories

Installation accessories	Picture	Material	Weight(Unit: Kgs)	QTY /Luminaire
Bracket		Q235	0.4	1