



FSQ Socket series

Protection mode:

Type of protection: II 2 G EEx d IIC
 Class of temperature: T6
 Protection degree: IP66
 Zones : 1-2



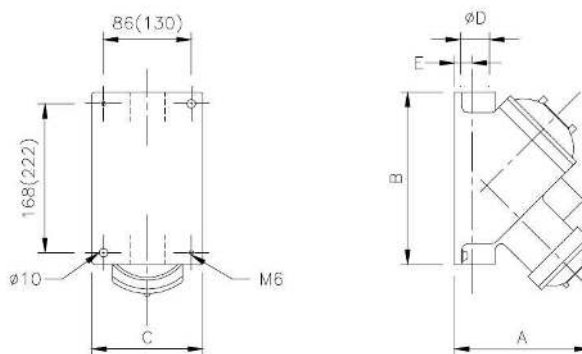
Description:

Enclosure in light alloy. The socket is complete with interlocked switch which can only be On with plug inserted and vice versa.

On request:

Available with automatic switch.

Drawing:



Intensity (A)	Poles	Dimensions					Reference	Weight (Kg)
		A	B	C	D	E		
15	2+T	160	192	110	1"	25	FSQ 215	2.3
25	3+T	160	192	110	1"	25	FSQ 325	2.4
25	4+T	190	192	110	1"	25	FSQ 425	2.5
60	3+T	190	146	155	1.1/2"	35	FSQ 360	3.2

BP PLUGS SERIES

Cables entries	Suitable socket	Code	Weight (g.)
3/4"	FSQ 215	BP 215	340
3/4"	FSQ 325	BP 325	350
3/4"	FSQ 425	BP 425	360
1"	FSQ 360	BP 360	370

