



GUB-W

Protection mode:

Type of protection: II 2 GD- EEx d IIC/ EEx d [ia] IIC
 Class of temperature: T6-T5-T4-T3
 Protection degree: IP 65 / IP 67*



Description:

The GUB-W enclosures are square shaped and have a threaded cover with circular porthole (W).

Technical data:

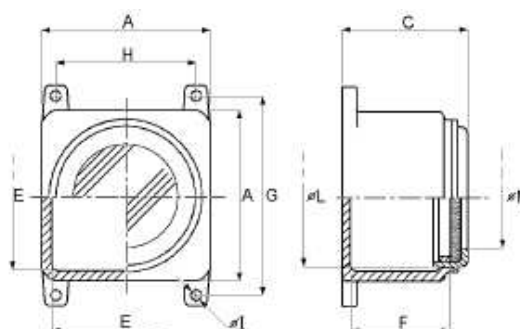
Materials:

Body and cover: aluminium alloy.
 Porthole: thermoresistant tempered glass.
 Screws: stainless steel.

On request:

*IP 67 protection with o-ring.
 Galvanized steel equipment plate.
 Breathing / draining valve.
 Other epoxy painting colours different by the standard.
 Inhibiting treatments for salt mist.
 GUB 5 with W1 or W2-3 porthole.

Technical drawing:



Type	Dimensions (mm)					Lumiere Regard øM	Fixing (mm)		
	External		Internal				G	H	øl
	A	C	E	øL	F				
GUB / W 00	119	125	92	97	86	63	145	95	2 X 8
GUB / W 0	150	135	125	114	112	79	178	125	2 X 8
GUB / W 0H	150	175	125	114	146	79	178	125	2 X 8
GUB / W 1	200	140	170	163	103	121	228	178	2 x 10
GUB / W 1H	200	180	170	163	143	121	228	178	2 x 10
GUB / W 3	250	185	225	206	143	160	285	228	4 x 10
GUB / W 3L	360	225	325	320	162	260	395	318	4 x 10
GUB / W 4	450	290	410	406	205	260	485	410	4 x 10
GUB / W 4A	450	220	410	406	135	260	485	410	4 x 10
GUB / W 5-WG1	550	360	510	504	270	121	595	513	4 x 10
GUB / W 5-WG2	550	360	510	504	270	160	595	513	4 x 10