



GUB. Enclosure with screwed cover

Protection mode:

Type of protection: II 2 GD EEx d IIC
EEx d [ia] IIC
Class of temperature: T6-T5-T4-T3
Protection degree: IP 65 / IP 67*



Description:

Les coffrets GUB sont de forme carré avec couvercle aveugle vissé. Pour le couvercle avec regard et/ou rallonge voir fiches GUB-W, GUB-WE et GUB-E.

Pour appareillages électriques; électroniques et barrières à sécurité intrinsèque.

Technical data:

Ambient temperature:
-20 + 60°C (+40 / +50°C)
(* Only for GUB 1PF -20 +70 °C)

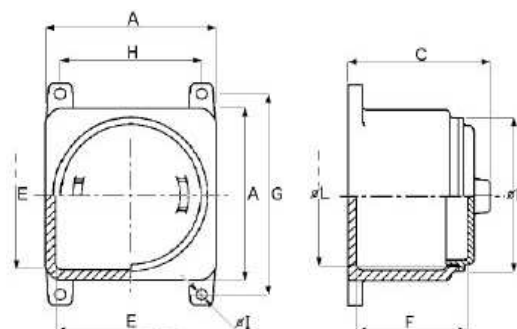
Materials:

Body and cover: aluminium alloy.
Screws: stainless steel.

On request:

*IP 67 protection with o-ring.
Galvanized steel equipment plate.
Breathing / draining valve.
Other epoxy painting colours different by the standard.
Inhibiting treatment for salt mist.

Technical drawing:



| Type | Dimensions (mm) | | | | | | Fixing (mm) | | |
|---------|-----------------|-----|-----|----------|-----|-----|-------------|-----|--------|
| | External | | | Internal | | | G | H | øI |
| | A | C | øD | E | øL | F | | | |
| GUB 00 | 119 | 137 | 112 | 92 | 97 | 98 | 145 | 95 | 2 X 8 |
| GUB 0 | 150 | 150 | 136 | 125 | 114 | 115 | 178 | 125 | 2 X 8 |
| GUB 0H | 150 | 190 | 136 | 125 | 114 | 152 | 178 | 125 | 2 X 8 |
| GUB 1 | 200 | 160 | 189 | 170 | 163 | 112 | 228 | 178 | 2 x 10 |
| GUB 1H | 200 | 200 | 189 | 170 | 163 | 152 | 228 | 178 | 2 x 10 |
| GUB 1PF | 176 | 139 | 170 | 150 | 147 | 105 | 196 | 154 | 2 x 10 |
| GUB 3 | 250 | 205 | 231 | 225 | 206 | 158 | 285 | 228 | 4 x 10 |
| GUB 3L | 360 | 245 | 348 | 325 | 320 | 185 | 395 | 318 | 4 x 10 |
| GUB 4 | 450 | 305 | 437 | 410 | 406 | 230 | 485 | 410 | 4 x 10 |
| GUB 4A | 450 | 235 | 437 | 410 | 406 | 160 | 485 | 410 | 4 x 10 |
| GUB 5 | 550 | 360 | 536 | 510 | 504 | 270 | 595 | 513 | 4 x 10 |