



IL-80 ATEX LED Rechargeable hand lamp

Protection mode:

Type of protection:	Ex II 2 G Ex e ib op is IIC T4 Gb Ex II 2 D tb IIIC T135°C
Class of temperature:	T4
Protection degree:	IP66/67
Ambient Temp :	-20/+40°C
Zones :	1-21-2-22



Description:

IL-80 ATEX LED is the perfect choice when an extremely robust portable light is required for Ex-areas. Ultra-Bright LEDs, intelligent control electronics and a maximum working time of up to 21 hours ensures that this torch meets the requirements of demanding professionals.

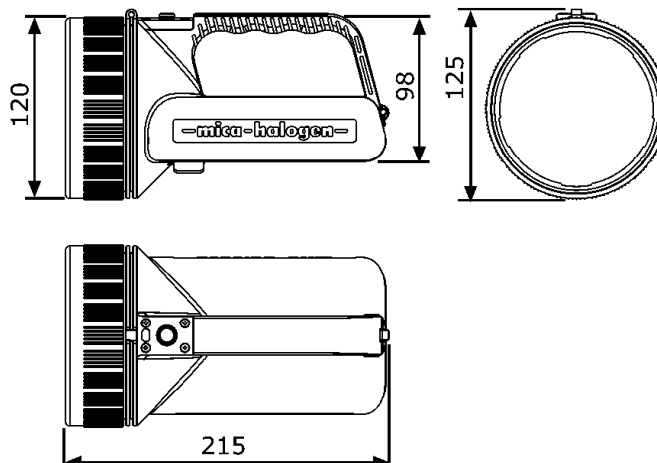
The dual switch functionality makes it easy to choose between operating time and lighting power. The intelligent ILC4 charger has an aluminium construction and is ideally suited to use with the IL-80 ATEX LED.

The advanced electronics of the flashlight control the flashlight power mode, prevents deep-discharge of the battery and indicate the need for recharging. When the remaining operating time is approx. 15-30 minutes the beam starts to blink at 15-second intervals.

The IL-80 ATEX LED EM switches automatically into emergency lighting mode when the charger is connected to mains. During a power failure, a lamp with EM function will light up and provide light for the area in front of it.

Advanced ILC4 and ILC4-VAC chargers keep IL-80 ATEX LED lamps always ready for use and do not overcharge the battery during storage time. The tight fit will keep the lamp secure even in rough vehicle use. The ILC4-VAC chargers are fed from mains (85...264VAC). Other models can be connected directly into a vehicle battery or to the mains with an IL-2 adapter.

Technical drawing:





IL-80 ATEX LED Rechargeable hand lamp

MODEL	IL-80 ATEX / EM
Product description	IL-80 ATEX LED: Rechargeable safety hand lamp IL-80 ATEX LED EM: Rechargeable emergency lamp
Code	Ex II 2 G Ex e ib op is IIC T4 Gb Ex II 2 D tb IIIC T135°C
Apparatus standards	EN60079-0 (2009) EN60079-12 (2012) EN60079-28 (2007) EN60079-31 (2009)
Type of protection	"e" increased safety, "ib" intrinsic safety
Enclosure	Antistatic polypropylene
Lens	Toughened glass (5mm)
Beam type	Recommended Medium, Spot/Flood
Light source:	Px13,5: L200EX Light output 60 lm; 8000lx @ 1m Lifetime: 20 000h
Power source:	6V rechargeable NiMH battery
Light duration	Full power output: 10.30 hours Half power output: 21 hours
Ingress protection	IP 66/67
Weight with battery	1,1 kg
Dimensions	121 x 121 x 216mm
Other features:	- Deep discharge prevention - Low battery warning 15 min. before battery runs out
Chargers	Single charger ILC-VAC, ILC + IL-2 (version ILC-3) Multi charger CR-C3 for 3 lamps Multi charger CR-C5 for 5 lamps
Accessories	Shoulder strap, antistatic

Chargers:

Vehicle or indoor installations
Rugged aluminum construction
ILC4 (Nominal input 12...24VDC)

LED indicators for state-of-charge
Charging temperature 0...+40°C
ILC4 VAC (Nominal input 85...264VAC)

