



## LIF-1 Incandescent Lighting fixture I M2

### Protection mode:

Type of protection: 2GD M2 EEx d IIEEx d IIB/IIC  
 Class of temperature: T3-T6  
 Protection degree: IP66  
 Ambient Temp : -20°C/+40°C (+55°C on req.)



### Description:

Lighting fixtures incandescent I M2 have a bell shaped structure inlets can be placed on the upper part according to the different existing plans so as to allow electric connections or fixing of the required accessories needed for the suspension of the structure itself.

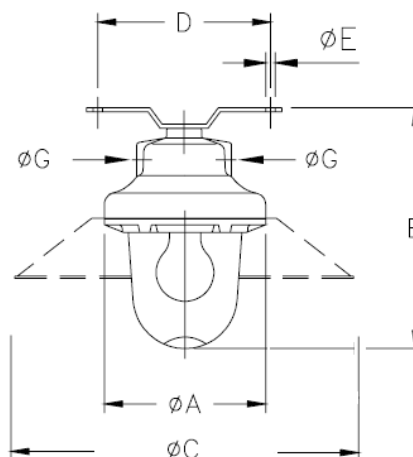
### Technical data:

**Threading and inlets:**  
 GK 3/4" UNI 6125

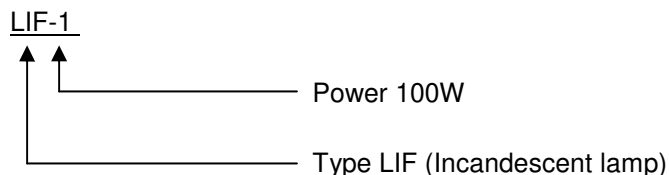
**Materials and treatments:**  
 Cast iron\*  
 \*Others on request

**External painting**  
 RAL 9006 or RAL 7034

### Technical drawing:



### Reference:



### Dimensions :

Dimensions (mm)						Weight (kg)
A	B	C	D	E	G	
165	253	295	172	8	3/4" GK	4