



Lighting fixture series LI 98/FH

Protection mode:

Type of protection: 2 GD, M2 EEx d IIC / EEx d I
 Class of temperature: T5-T6
 Protection degree: IP66
 Zones : 1-2



Description:

The blinker lighting fixtures series LI.-98/FH are assembled with xenon lamps for excellent optical performance combined with low consumption. The caps can be red, yellow, orange, green, blue and white; the standard voltage is the following: 12 24Vac/dc, 125Vac, 230Vac; 125Vdc special circuits are available on request.

These lighting fixtures are usually employed on burglar alarms, electric gates, or vehicles such as lift trucks..

Technicals data:

Materials and treatments:

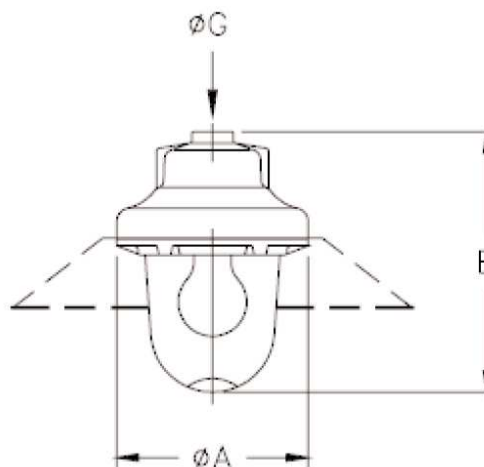
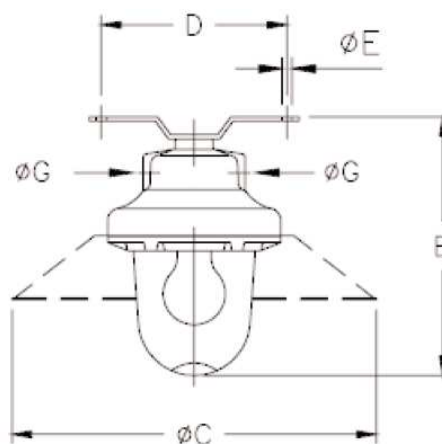
Cast iron UNI/ISO 185 Q200 (G20 UNI 5007)

Electrolytic zinc plating.

External nitro painting RAL 9006 or RAL 7034 (other types of painting such as: anti condensate or epoxidic and other colours are available on request).

It can be supplied with Fresnell lenses; the operating mode can be contemporary, continuous, flashing or alternate.

Technicals drawings:



Dimensioni							Peso Kg.
A	B	C	D/D1	ØE	F	ØG	
165	230	295	=	=	=	3/4"	3,8
165	253	295	172	8	=	3/4"	4,0
165	230	295	50/50	8	192	3/4"	4,5
194	285	320	=	=	=	3/4"	5,6
194	308	320	320	8	=	3/4"	5,8
194	285	320	50/50	8	192	3/4"	6,3
208	348	320	=	=	=	3/4"	7,0
208	373	320	320	8	=	3/4"	7,2
208	348	320	50/50	8	192	3/4"	7,7
345	117	73	100	=	296	3/4"	6,7