



## PB1-E1 Push buttons series

### Protection mode:

Type of protection:	Ex II 2GD Ex d IIC
Class of temperature:	T6-T4
Protection degree:	IP66
Ambient Temp :	-20 à +40°C
Zones :	1-21-2-22

### Description:

This is a special model of PB1 with an emergency button and break glass, complete of external accessories (chain, hammer, glass stop ring, etc) with RAL 3000 external epoxyvinil coating.

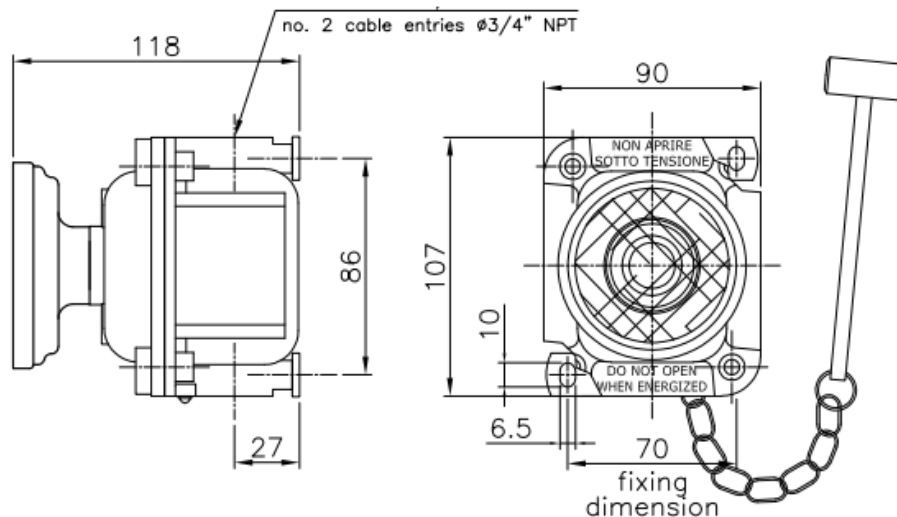
#### Manual broken window E1

On request :

Automatic broken window E0



### Drawing :



### Options :

Two contacts NC or NO. - Isometric M25x1,5 (M) cable entries threading.

Presence of illuminat

Full execution in AISI 316L (including the external fittings).

### Informations :

External screws in Stainless Steel AISI 304 (On request AISI 316L).

External accessories (hammer, chain, glass holder ring) in Stainless Steel.

Extremely lightweight: 1050 g only