



## RNC Cable gland for conduit coupling

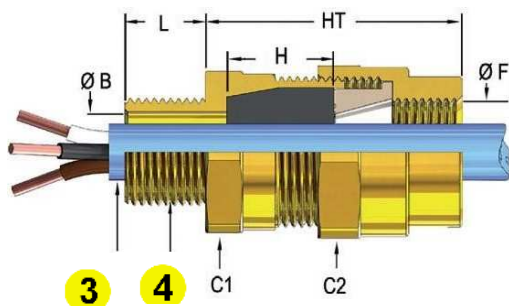
### Protection mode:

Type of protection: Ex e II Ex d IIc Ex tD Ex e I Ex d I  
 Protection degree: IP66 / 68\*  
 Zones : 1-2-21-22  
 Certificates: INERIS 06 ATEX 0014X  
 IECEX INE 10.0010 X  
 POCC IT.A 45.B04931 RTN



### Description:

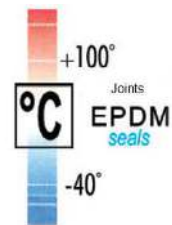
RNC, Cable gland for non armoured cable for gas (1&2) and dust (21&22) zones. The addition of female thread on the cap allows the cable gland to be coupled to a conduit attachment.



Make the product reference :

1 + 2 + 3 + 4 + 5 + 6

<b>5</b>	EP: EPDM	<b>6</b>	ON: Nickel plated brass
			S6: Stainless steel AISI316L



\*on request

1	2	3	4 Cylindrical threads						Weight (g)	øF	HT	H	C1				C2			
			ISO 262	ISO 228	DIN 40430	UNI 6125	NPT	ISO7												
RN	16	4 ÷ 7	M16x 1.5	3/8"	Pg11	1/2"	3/8"	3/8"	101	3/8" ISO 228	46	20	24	26	24	26	24	26		
		7 ÷ 10																		
RN	20	5.5 ÷ 8	M20x 1.5	1/2"	Pg13.5	1/2"	1/2"	1/2"	174	1/2" ISO 228	47	20	30	33	32	35	30	33		
		8 ÷ 10.5																		
		10.5 ÷ 13																		
RN	25	10 ÷ 10.5	M25x 1.5	3/4"	Pg16	3/4"	3/4"	3/4"	206	3/4" ISO 228	47	20	35	38	36	39	35	38		
		10.5 ÷ 13																		
		13 ÷ 15.5																		
		15.5 ÷ 18																		
RN	32	13 ÷ 15.5	M32x 1.5	1"	Pg21	1"	1"	1"	356	1" ISO 228	61	25	42	47	45	49	42	47		
		15.5 ÷ 18																		
		18 ÷ 21																		
		21 ÷ 24																		
RN	40	21 ÷ 24	M40x 1.5	1"1/4	Pg 29	1"1/4	1"1/4	1"1/4	431	1"1/4 ISO 228	61	25	48	53	50	55	48	53		
		24 ÷ 27																		
		27 ÷ 30																		
RN	50	24 ÷ 27	M50x 1.5	1"1/2	Pg36	1"1/2	1"1/2	1"1/2	568	1"1/2 ISO 228	61	25	55	60	57	62	55	60		
		27 ÷ 30																		
		30 ÷ 33																		
		33 ÷ 36																		
RN	63	36 ÷ 39	M63x 1.5	2"	Pg42	2"	2"	2"	784	2" ISO 228	61	25	68	74	67	72	68	74		
		39 ÷ 42																		
		42 ÷ 45																		
RN	75	45 ÷ 48	M75x 1.5	2"1/2	Pg48	2"1/2	2"1/2	2"1/2	1124	2"1/2 ISO 228	69	25	80	86	80	88	80	86		
		48 ÷ 51																		
		51 ÷ 54																		
RN	90a	54 ÷ 58	M90x 2	3"	/	3"	3"	3"	2235	3" ISO 228	79	30	100	107	100	107	100	107		
		58 ÷ 62																		
	90b	60 ÷ 64																		
		64 ÷ 68																		