



RTFI257CTM800 & RTFI257CTM801

ATEX GPRS Antenna with lightning arrestor
TNC Plug to TNC Bulkhead Jack 0-6 GHz

Mode of protection:

Type of protection: II 2G Ex d IIB
Class of temperature: T6
Ambiant temp: -20/+40°C
Zones: 1-2

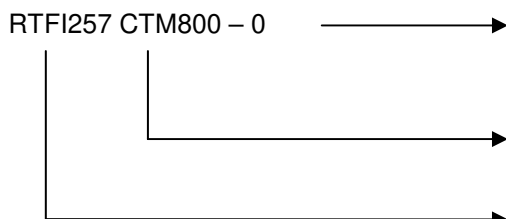
Description:

The CTM-Series of antennas are designed for use in "Hazardous-Classified" and Industrial-Hardened applications. The antennas are omni-directional with 2.0 dBi gain and designed for flexible mounting with an M20 thread. The mounting base is made of heavy nickel-plated brass with an integrated TNC coaxial connector for ease of installation. The radome is optimized for rugged industrial applications while maintaining maximum radio frequency transmission and reception efficiency. Unarmoured cable gland M20 kit (seals 5.5/8 - 8/10.5 - 10.5/13mm).

Enclosure body and cable gland in stainless steel AISI316L



References:



Length of cable

0 : without cable
5 : 5 meters of cable
10 : 10 meters of cable
Other length on request

Antenna

Dual band 824-896 MHz & 1850-1990 MHz

Enclosure model

RTFI257

RTFI206CTM800

Dual band 824-896 MHz & 1850-1990 MHz

RTFI206CTM801

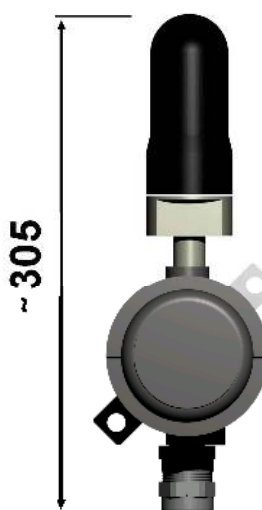
Dual band 801-940 MHz & 1901-2000 MHz

Other models on request:

RTFI257CTM2400 2.4 GHz
RTFI257CTM5000 5.0 GHz
RTFI257CTM401 450MHz to 470MHz
RTFI257CTM1500 1,575.42MHz
RTFI257CTM900 902-928MHz

- Dual band AMPS 824 ~ 896 MHz & PCS (GPRS) 1850~1990 MHz
- UL listed & ATEX certified
- Internal seal fitting
- Custom frequencies available
- TNC connector
- Mounting: 20mm (M20) thread
- Rugged Nickel Plated Brass mounting base

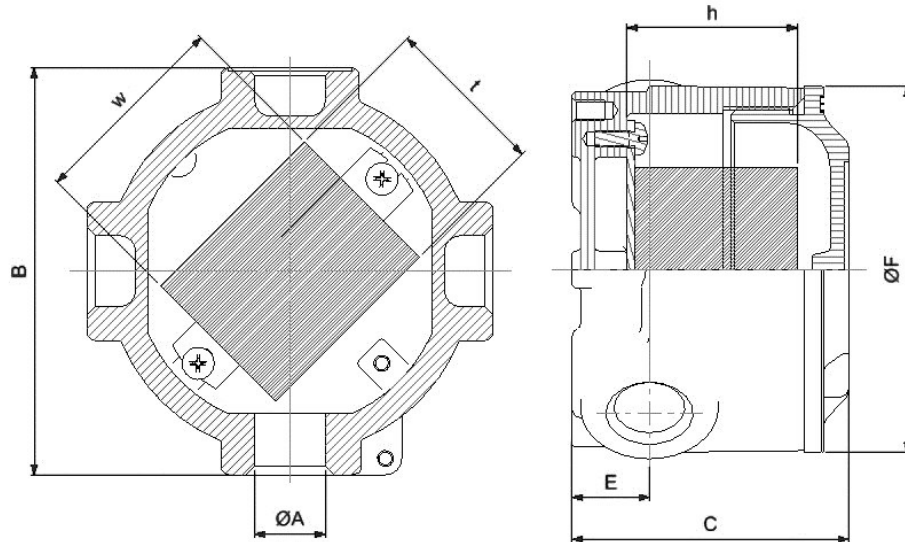
Approx height (mm):





RTFI257CTM800 & RTFI257CTM801 ATEX GPRS Antenna with lightning arrester TNC Plug to TNC Bulkhead Jack 0-6 GHZ

Drawing:



Enclosure dimensions	ØA	Dimensions externe (mm)					Dimensions interne (mm)			Volume elec. (dm ³)	Poids (kg)
		External dimensions (mm)					Internal dimensions (mm)				Weight (kg)
		B	C	D	E	F	h	W	t		
RTFI257CTM800 RTFI257CTM801	M20	126	82	11	24	112	50	65	45	0.146	2.20



Fixation	Dimensions (mm)						Poids (kg)
Bracket	A	B	C	D	E	F	Weight (kg)
KF7S	142	18	3	6.5	10	124	57

Example with furniture cable





RTFI257CTM800 & RTFI257CTM801

ATEX GPRS Antenna with lightning arrester
TNC Plug to TNC Bulkhead Jack 0-6 GHz

Lightning arrester



Specifications	
Model	TW-LP-TNC-P-BHJ
Frequency Range	DC 0-6 GHz
Insertion Loss	.01dB/1GHz, .02dB/2GHz, .04dB/3GHz, .05dB/5GHz, 0.6dB/6GHz
VSWR	DC~6 GHz <1.5
Impedance	50 Ω
Connector	TNC Plug To TNC Bulkhead Jack
Operating Temperature Range	-86°F to 185°F
Dimensions	(L x W x H) 0.9" x 2.4" x 1.2"
Insulation Resistance	DC 100V More Than 50 MΩ
DC Discharge Voltage	90 V
Initial Impulse Wave Discharge Voltage	Less Than 700 V (1KV/μs)
Rated Impulse Wave Discharge	20 KA (Wave 8/20 μs) 10 Times (5 Times Each Polarity)
Weight	0.28 lbs
Ground Connection	By Feedthrough or Screw Terminal
Recommended AWG	18 AWG ground wire

