



SFC16CTM2400 – ATEX Wi-Fi Antenna

Mode of protection:

Type of protection: II 2G Ex d IIB
 Class of temperature: T6
 Ambient temp: -20/+40°C
 Zones: 1-2

Description:

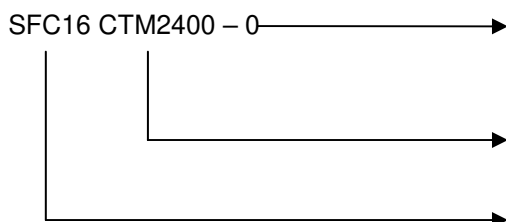
ATEX Wi-Fi antenna 2.4GHz for gas zones (1 & 2). Lightweight and compact, body in aluminum alloy, antenna in nickel plated brass. Maximum power output dissipated 2W. Unarmoured cable gland M20 kit in nickel plated brass (seals 5.5/8 - 8/10.5 - 10.5/13mm).

Reverse Polarity TNC male right connector to solder.

Hazardous tank level monitoring, offshore platforms, chemical processing. power plants...



References:



Length of cable

0 : without cable
 5 : 5 meters of cable
 10 : 10 meters of cable

Antenna

2,4 GHz

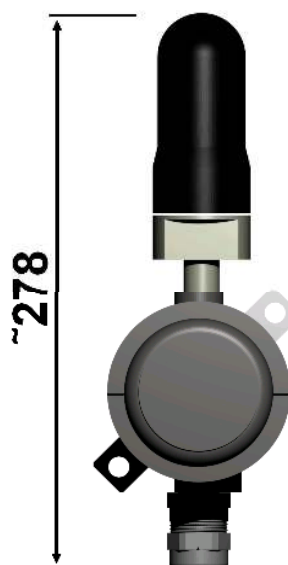
Enclosure model

SFC16



SFC16CTM2400 2.4 GHz
SFC16CTM5000 5 GHz

Approx height (mm):



Other models on request:

SFC16CTM800 Dual band 824-896 MHz & 1850-1990 MHz

SFC16CTM801 Dual band 801-940 MHz & 1901-2000 MHz

SFC16CTM900 915 MHz

SFC16CTM401 450MHz to 470MHz

SFC16CTM1500 1,575.42MHz

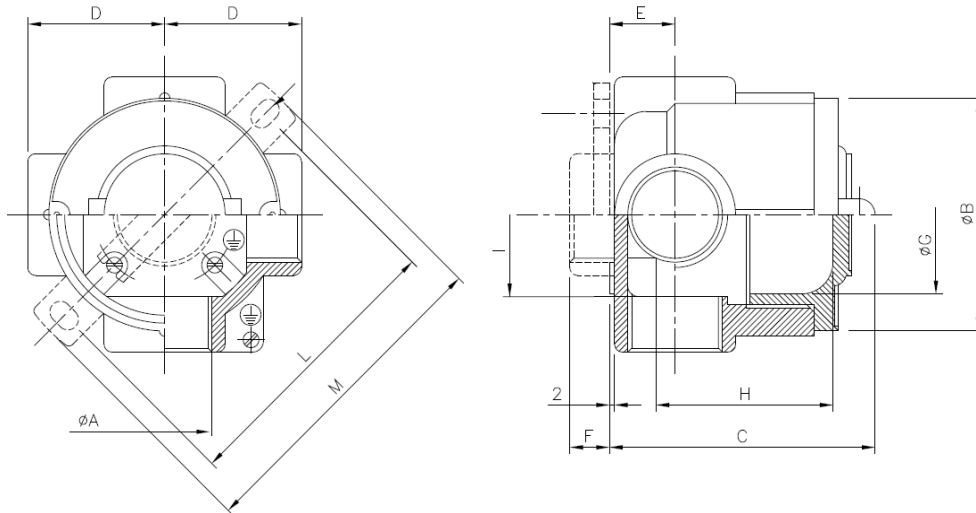
Antenna technicals data :

- Frequency: 2.4 GHz
- Impedance: 50Ω
- Gain: 2.0 dBi
- Max Power: 2 Watts
- Connector : Reverse polarity female TNC (2.4GHz) & TNC female (5GHz)



SFC16CTM2400 – ATEX Wi-Fi Antenna

Drawing:



Enclosure dimensions	øA	Dimensions externe (mm)					Dimensions interne (mm)			Fixation		Poids (g)
		External dimensions (mm)					Internal dimensions (mm)			Brackets		Weight (g)
		B	C	D	E	F	G	H	I	L	M	
SFC16CTM2400	M20	90	78	50	20	8	70	49	70	108	126	440

Example with furniture cable

