



SFC16CTM401 – ATEX Antenna 450-470MHz

Mode of protection:

Type of protection: II 2G Ex d IIB
 Class of temperature: T6
 Ambient temp: -20/+40°C
 Zones: 1-2

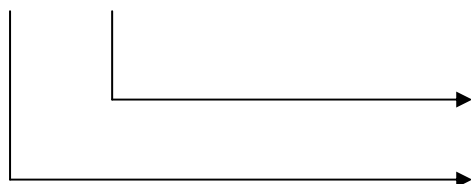
Description:

ATEX antenna 450-470MHz for gas zones (1 & 2). Lightweight and compact, body in aluminum alloy, antenna in nickel plated brass. Maximum power output dissipated 2W. Unarmoured cable gland M20 kit in nickel plated brass (seals 5.5/8 - 8/10.5 - 10.5/13mm). TNC female connector. Hazardous tank level monitoring, offshore platforms, chemical processing, power plants...



References:

SFC16 CTM401 – 0



Length of cable

0 : without cable
 5 : 5 meters of cable
 10 : 10 meters of cable

Antenna

450MHz to 470MHz

Enclosure model

SFC16

References:

SFC16CTM401 450MHz to 470MHz

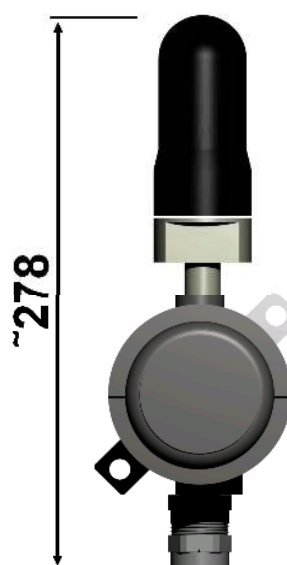
Other models on request:

SFC16CTM800 Dual band 824-896 MHz & 1850-1990 MHz
SFC16CTM801 Dual band 801-940 MHz & 1901-2000 MHz
SFC16CTM900 902-928MHz
SFC16CTM5000 5.0 GHz
SFC16CTM2400 2.4GHz
SFC16CTM1500 1,575.42MHz

Antenna technicals data :

Bandwidth: 450 MHz to 470 MHz
 Impedance: 50 Ω
 Gain: 0.0 dBi
 Maximum power: 2 Watts
 Connector type: TNC female
 Mounting base: 20mm (M20)
 7 joule impact rating
 Weight: 1.06 lbs., 0.48 kg
 Maximum length including TNC connector: 5.85", 148.6mm

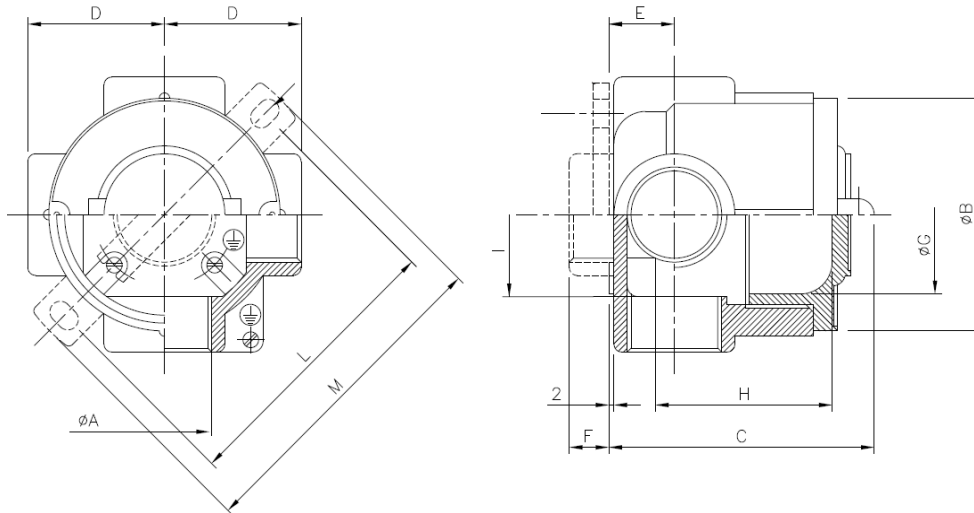
Approx height (mm):





SFC16CTM401 – ATEX Antenna 450-470MHz

Drawing:



Enclosure dimensions	øA	Dimensions externe (mm)					Dimensions interne (mm)			Fixation		Poids (g)
		External dimensions (mm)					Internal dimensions (mm)			Brackets		Weight (g)
		B	C	D	E	F	G	H	I	L	M	
SFC16CTM401	M20	90	78	50	20	8	70	49	70	108	126	440

Example with furniture cable

