



SO Enclosure for control with extension

Protection mode:

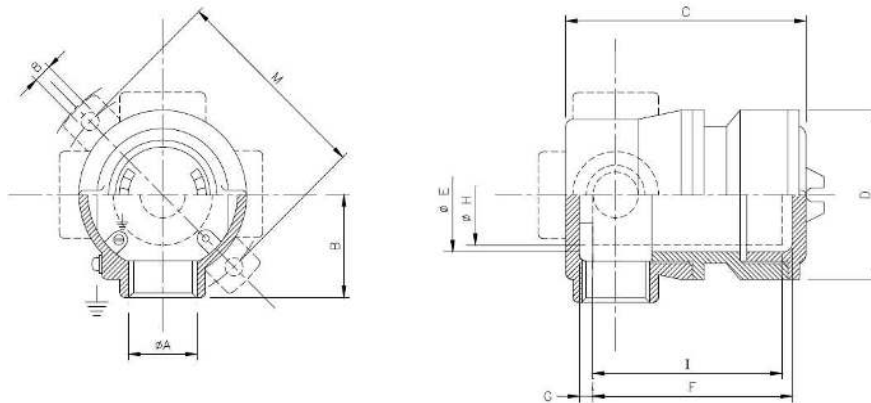
Type of protection: II 2GD EEx d IIC / Ex td A21
 Class of temperature: T6-T4
 Protection degree: IP66
 Ambient Temp : -20 / +40°C
 Zones : 1-2-21-22
 Certificate: BVI07 ATEX 0022
 BVI 07 ATEX 0020 U



Description:

Enclosure in light alloy suitable for containing the electrical, electronic apparatuses of command, control, measure and regulation.
 External bolts and screws in stainless steel and RAL7000 external epoxyvinyl coating.

Technical drawing:



Dimensions table:

Schema Diagram	SCF		SLF		STF		SXF				
	SCF		SLF		STF		SXF				
Code	øA	Dimensions externe				Dimensions interne			Elec. App.		Poids (g)
		External dimensions				internal dimensions					Weight(g)
		B	C	D	M	E	F	G	H	I	
S..24/84	3/4"	40	121	70	87	48	120	8	44	118	565
S..26/	3/4"	50	121-141	90	108	68	105-125	8	64	103-123	710/780
S..36/	1"	50	128-148	90	108	68	113-133	8	64	111-131	740/810
S..57/	3/4"-1.1/2"	69	155-185	130	-	100	140-170	8	96	138-168	1650/1830/
S..69/	1" - 2"	75	165-205	145	-	112	150-190	9	106	148-188	1980/2220

Others size and holes on request