



SO. Enclosure for control + Glass

Protection mode:

Type of protection: II 2GD EEx d IIC / Ex td A21
 Class of temperature: T6-T4
 Protection degree: IP66
 Ambient Temp : -20 / +40°C
 Zones : 1-2-21-22

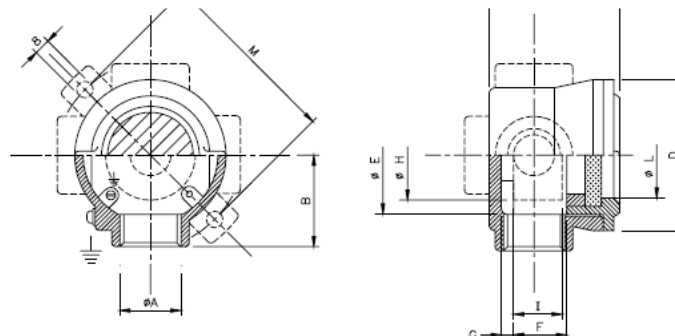


Description:

Enclosure in light alloy with transparent toughened glass suitable for containing the electrical, electronic apparatuses of command, control, measure and regulation.
 External bolts and screws in stainless steel and RAL7000 external epoxyvinyl coating.

Technical drawing:

Type: SO
 Type coffret - Enclosure type
 Lettre correspondant au diagramme - Letter corresponding to the diagram



Dimensions table:

Code	øA	Dimensions externe				Dimensions interne			Elec. App.		Port	Poids (g)
		External dimensions				internal dimensions			H	I	L	Weight(g)
		B	C	D	M	E	F	G				
SO..14	1/2"	40	61	70	87	50	24	8	45	22	38	415
SO..24	3/4"	40	61	70	87	50	24	8	45	22	38	390
SO..26	3/4"	50	66	90	108	70	25	8	65	23	50	525
SO..36	1"	50	73	90	108	70	32	8	65	30	50	570
SO..57	3/4"-1.1/2"	69	93	130	-	100	48	8	96	46	82	1305
SO..69	1" - 2"	75	104	145	-	112	54	9	106	52	96	1635

Schema Diagram	SO	SOA	SOC	SOB	SOL	SOD	SOM	SOT	SOW	SOX
avec fixation with bracket	SOF		SOCF		SOLF			SOTF		SOXF