



S. Enclosure for control

Protection mode:

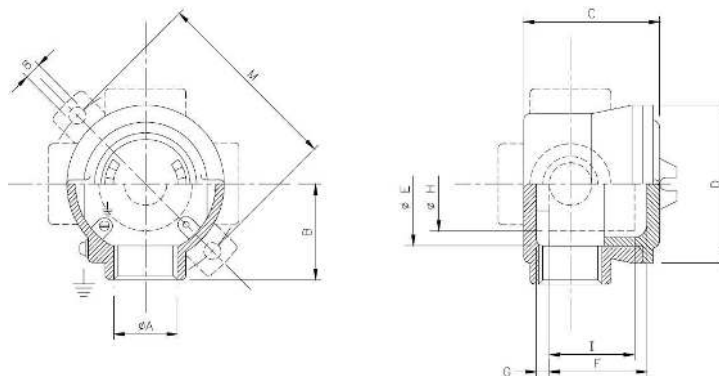
Type of protection: II 2GD EEx d IIC / Ex td A21
 Class of temperature: T6-T4
 Protection degree: IP66
 Ambient Temp : -20 / +40°C
 Zones : 1-2-21-22



Description:

Enclosure in light alloy suitable for containing the electrical, electronic apparatuses of command, control, measure and regulation.
 External bolts and screws in stainless steel and RAL7000 external epoxyvinyl coating.

Technical drawing:



Dimensions table:

Schema Diagram											
	Code	øA	Dimensions externe			Dimensions interne			Elec. App.		Poids (g)
		External dimensions			internal dimensions			H	I	Weight(g)	
		B	C	D	M	E	F	G			
S..14	1/2"	40	61	70	87	50	47	8	45	45	310
S..24	3/4"	40	61	70	87	50	47	8	45	45	265
S..26	3/4"	50	66	90	108	70	47	8	65	45	420
S..36	1"	50	73	90	108	70	57	8	65	55	450
S..57	3/4"-1.1/2"	69	93	130	-	100	78	8	96	76	1090
S..69	1" – 2"	75	104	145	-	112	91	9	106	89	1400