



Telephone calls repeater KLM214A6CA/CC

Protection mode:

Type of protection: II 2GD EEx d IIB
Class of temperature: T6
Protection degree: IP 54
IP65 (if silicon grease is used)
Ambient Temp : -10C / + 60°C
Zones : 1-2-21-22



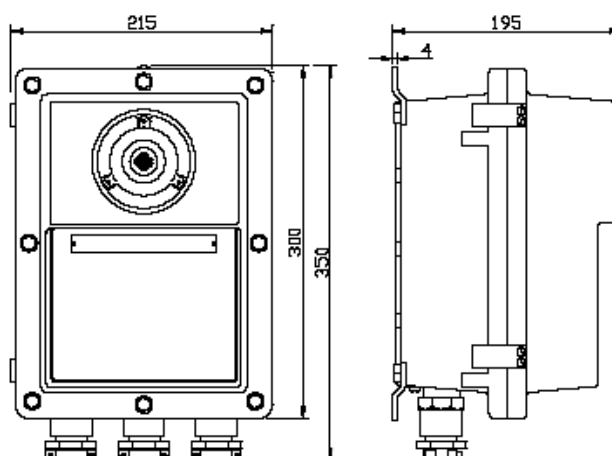
Description:

Explosion proof telephone calls repeater to be plant in hazardous area. Model for for wall mounting, aluminium light-alloy body It should be installed by skilled personnel only (danger of explosion).

Electrical Characteristics:

Power-supply:
48-24 Vdc or 220 Vac
Consumption:
15W - 15VA
Acoustic unit:
110 dB at 1 m.
Telephone interface:
electronic relay circuit
Telephone ringing voltage:
30 to 100 Vac -25-50 Hz
Impedance on the t1ph line:
> 10 MW
Output Level:
adjustable by internal trimmer
low/high, continuose/blinking
Painting:
epoxy for outdoor using

Dimensions table:



Material / Color: Aluminum Light-alloy / RAL2003
Mounting: on wall
Dimensions: 215 X 350 X 195 mm
Cables inlets: nr 3 threaded holes (2 cable glands for cable f 5 - 8 mm + 1 plug)
Opening: 8 screws and pivoting front door for easy access
Weight: 9kg