



ATEX Switch ZS 75 S

Protection mode:

Type de protection: ATEX II 3D
 Classe de température: T6
 Indice de protection: IP65



Description:

Metal switch 2 or 4 contacts for zone 22 with a protection mode II 3D.

Technical data:

According to EN 418

- Metal housing
- 4 contacts
- 2 cable entry
- Length cable to 2 x 50 m
- Unlock possible per push button or per key
- Visualization signal for various voltage available on requests.

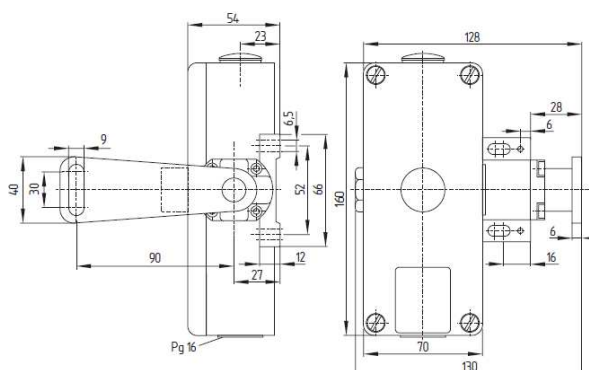
Informations :

With a cable entry M20 x 1,5,

Observations :

For length higher to 5 m provide support for the cable.

Technical drawings:



Unlock with key

