



## Interrupteur antidéflagrant ZS 75

### Protection mode:

Type of protection: ATEX II 3D  
Class of temperature: T6  
Protection degree: IP65

### Description:

Metal switch 2 or 4 contacts for zone 22 with a protection mode II 3D.



### Technical data:

- Metal housing
- 2 or 4 contacts.
- Function "pulling cable" et "ruptur cable"
- 4 differents spring forces.
- Impossible fraud
- Max length cable: 50 m
- Unlock possible per push button
- Available with external sealing sleeve.
- Switch ADF zone 22 Ex II 3D EEx d IIC T6-IP65-T80°C

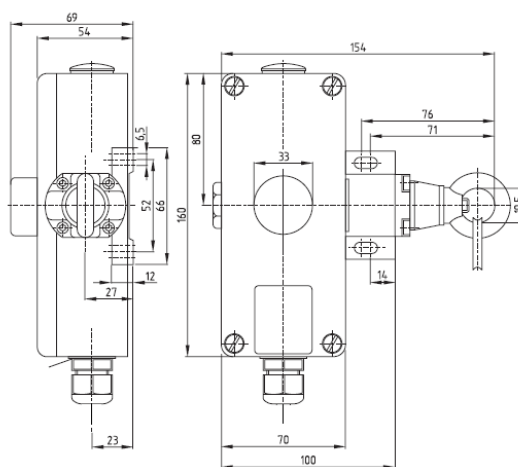
### Electrical connection

-For emergency switch stop to command per cable version ATEX, connection on screws terminals.

### Observation:

- For length protection higher to 5m, provide support for cable traction.
- Draw the red PVC at each ends of the cable.

### Technical drawings:



### Manchette étanche

